

RAYMOND JAMES STADIUM

TAMPA, FLORIDA

SEATING BOWL GLASS RAILING REPLACEMENT PROJECT



CONSTRUCTION
DOCUMENTS PACKAGE
SEPTEMBER 12, 2019

DRAWINGS INCLUDED
IN THIS SET:

- X0-0 - COVER SHEET
- A0-1 - ARCHITECTURAL GRAPHIC STANDARDS
- A1-4 - CLUB LEVEL REFERENCE PLAN
- A1-9 - UPPER DECK LEVEL REFERENCE PLAN
- A8-6-1 - RAILING ENLARGED PLANS & DETAILS

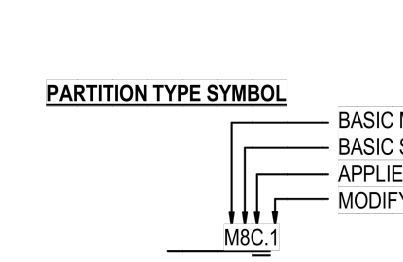
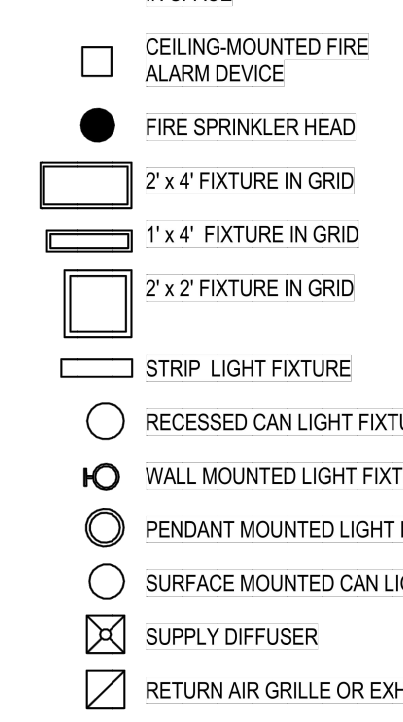
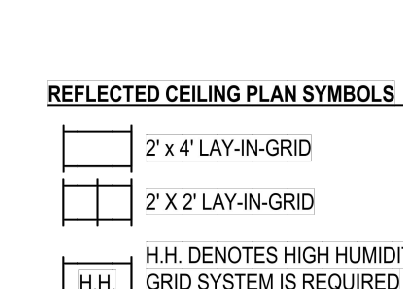
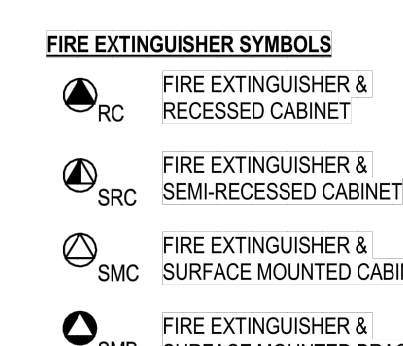
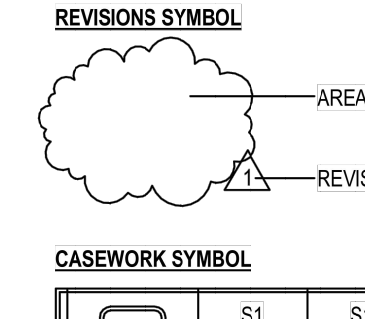
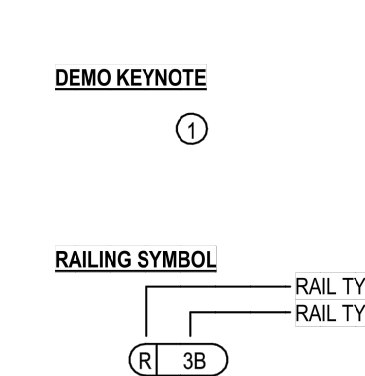
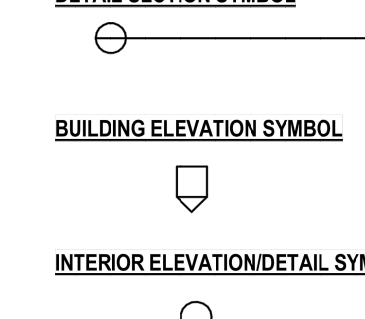
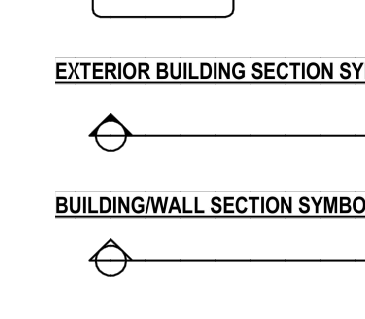
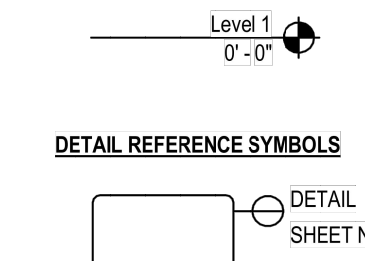
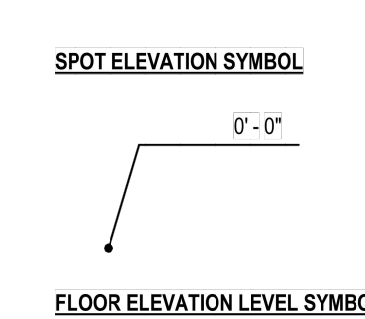
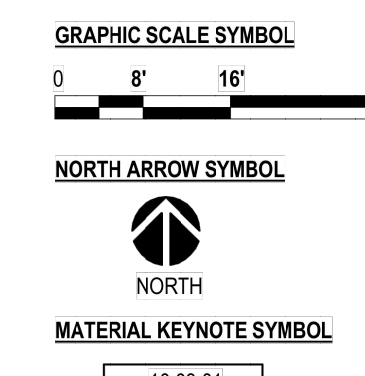
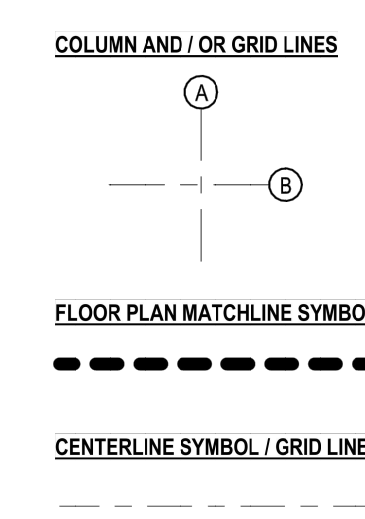
POPULOUS[™]
DRAWING PEOPLE TOGETHER[®]

POPULOUS, INC
Architecture, Engineering, Planning,
Interiors, Facility Programming
4800 Main Street, Suite 300
Kansas City, Missouri 64112
816-221-1500

ABBREVIATIONS

& @ #	AND NUMBER OR FOUND	KIT KO	KITCHEN KNOCKOUT
ACoust	ACOUSTICAL	L LT (L TG)	LONG / LENGTH LIGHT (LIGHTING)
AD	AREA DRAWN	LWC	LIGHTWEIGHT CONCRETE
ADJ	ADJUSTABLE	M	METER
AF	ABOVE FINISH FLOOR	MAS	MASONRY
AHJ	AIR HANDLING UNIT	MAX	MAXIMUM
ALUM	ALUMINUM	MECH	MECHANICAL
AP	ACCESS PANEL	MFG	MANUFACTURING
APC	ARCHITECTURAL PRECAST CONCRETE	MFR	MANUFACTURER
APPROX	APPROXIMATE	MH	MANHOLE
ARCH	ARCHITECTURAL	MIN	MINIMUM
AV	AUDIO/VISUAL	MISC	MISCELLANEOUS
BD	BOARD	MO	MASONRY OPEN
BLDG	BUILDING	MOUNT	MOUNTED
BLKG	BLOCKING	MTL	METAL
BM	BEAM	N	NORTH
BRG	BEARING	NA	NOT APPLICABLE
CFMF	COLD FORMED METAL FRAMING	NC	NOT IN CONTRACT
CG	CORNER GUARD	NO	NUMBER
CP	CAST-IN-PLACE	NDM	NOMINAL
CJ	CONTROL JOINT	NPS	NOMINAL PIPE SIZE
CLG	CEILING	NTS	NOT TO SCALE
CLO	CLOSE		
CML	CONCRETE MASONRY UNIT	OC	ON CENTER
COL	COLUMN	OD	OUTSIDE DIAMETER/DIMENSION
CONC	CONCRETE	OFF	OFFICE
CONN	CONNECTION	OH	OPPOSITE HAND
CONSTR	CONSTRUCTION	ORNG	OPENING
CONT	CONTINUOUS	ORD	OVERFLOW ROOF DRAIN
CONTR	CONTRACTOR	OZ	OUNCE
COOR	CORRIDOR	PA	PUBLIC ADDRESS
COPI	COPY	PC	PRECAST CONCRETE
CTR	CENTER	PL	PLATE
DBL	DOUBLE	PLAS	PLASTER
DEPT	DEPARTMENT	PLBS	PLYWOOD
DF	DRINKING FOUNTAIN	PLYWD	PLYWOOD
DM	DIAMETER	POL	POLISHED
DNM	DIMENSION	PR	PAIR
DN	DOWN	PT	POINT
DR	DOWN SPOUT	PTD	PAINTED
DS	DOWN	QTY	QUANTITY
DTL	DETAIL	R	RISER OR RADIUS
DW	DISH WASHER	RCP	REFLECTED CEILING PLAN
DWG(S)	DRAWING(S)	RD	ROOF DRAIN
E	EAST	RE	REFERENCE
EA	ELEVATION	REFR	REFRIGERATOR
EJ	EXPANSION JOINT	REINF	REINFORCED
ELEC	ELECTRICAL	REQD	REQUIRED
ELEV	ELEVATOR	REV	REVISION
EOS	EDGE OF SLAB	RM	ROOM
EQ	EQUAL	RO	ROUGH OPENING
EQUIP	EQUIPMENT	RTL	ROUGH OPENING
EWC	ELECTRIC WATER COOLER	S	SOUTH
EXIST	EXISTING	SAN	SANITARY
EXP	EXPANSION	SC	SOLID CORE
EXT	EXTERIOR	SCHD	SCHEDULE
FAP	FIRE ALARM PANEL	SD	SCUPPER DRAIN
FD	FLOOR DRAIN	SECT	SECTION
FDN	FOUNDATION	SF	SQUARE FOOT (FEET)
FEC	FIRE EXTINGUISHER	SH	SHOWER
FE	FIRE EXTINGUISHER CABINET	SHT	SHEET
FFD	FUNNEL FLOOR DRAIN	SP	SPECIFICATION
FFE	FURNISHINGS, FIXTURES, EQUIPMENT	SPHD	SPRINKLER HEAD
FHC	FIRE HOSE CABINET	SPKR	SPEAKER
FN	FINISH	SQ	SQUARE
FL	FLOOR	SS	STAINLESS STEEL
FOC	FACE OF CONCRETE	STD	STANDARD
FOF	FACE OF FINISH	STL	STEEL
FOS	FACE OF STUD	STR	STRUCTURE
FR (FRM)	FRAME	STRUC	STRUCTURE/STRUCTURAL
FS	FLOOR SINK	SY (SQ YD)	SQUARE (YARD(S))
FT	FOOT OF FEET	T	TREAD
FTG	FOOTING	T&G	TONGUE AND GROOVE
FURRR	FURNITURE	TEL	TELEPHONE
FV	FIRE VALVE CABINET	TEMP	TEMPERED
FVC	FIRE VALVE	TOP	TOP OF CONCRETE
GALV	GALVANIZED	TOP	TOP OF BEAM
GC	GENERAL CONTRACTOR	TOS	TOP OF SLAB OR TOP OF STEEL
GL	GLASS	TOW	TOP OF WALL
GYP BO	GYP SUM BOARD	TV	TELEVISION
HB	HOSE BIB	TYP	TYPICAL
HC	HOLLOW CORE	UNO	UNLESS NOTED OTHERWISE
HD	HEAD	VS (VPR BR)	VAPOR BARRIER
HDW	HARDWARE	VEND	VENDING MACHINES
HDWD	HARDWOOD	VERT	VERTICAL
HM	HOLLOW METAL	VEST	VESTIBULE
HRIZ	HORIZONTAL	W	WEST OR WIDE OR WIDTH
HT	HEIGHT	WI	WITHIN / DRYER
ICE	ICE MAKER	WID	WITHIN
ID	INSIDE DIAMETER/DIMENSION	WID	WITHOUT
IN	INCH	WO	WOOD
INFO	INFORMATION	WDW	WINDOW
INSUL	INSULATION	WP	WATERPROOF
INT	INTERIOR	WT	WEIGHT
JAN	JANITOR		
JST	JOIST		
JT	JOINT		

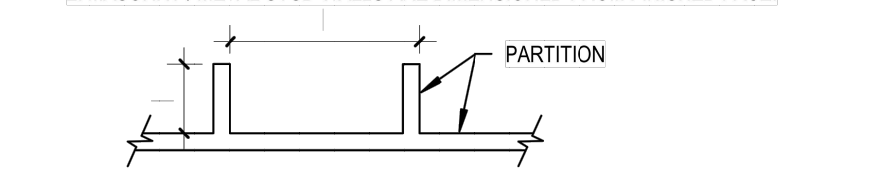
GRAPHIC SYMBOLS



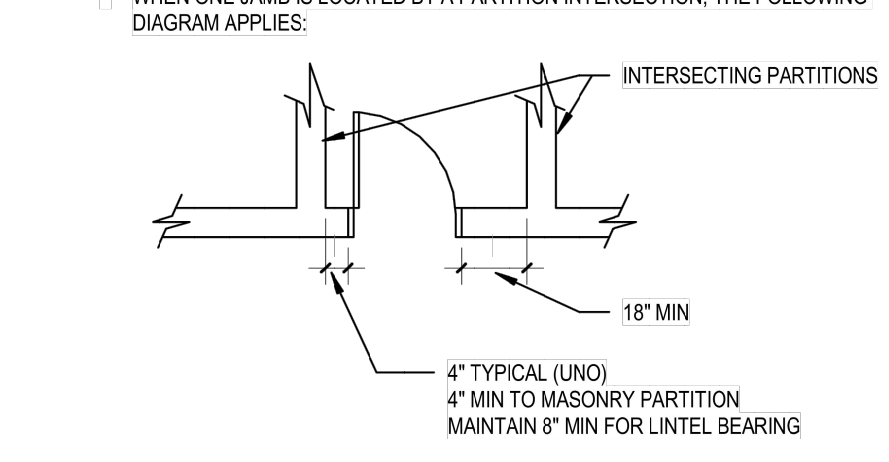
DIMENSIONING CRITERIA

ALL DRAWINGS ARE INTENDED TO BE COMPLEMENTARY. NOTIFY THE ARCHITECT OF ANY DIMENSIONING DISCREPANCY PRIOR TO PROCEEDING.
DIMENSIONS ARE AS IDENTIFIED ON THE DOCUMENTS OR AS ESTABLISHED BY CRITERIA AS FOLLOWS:

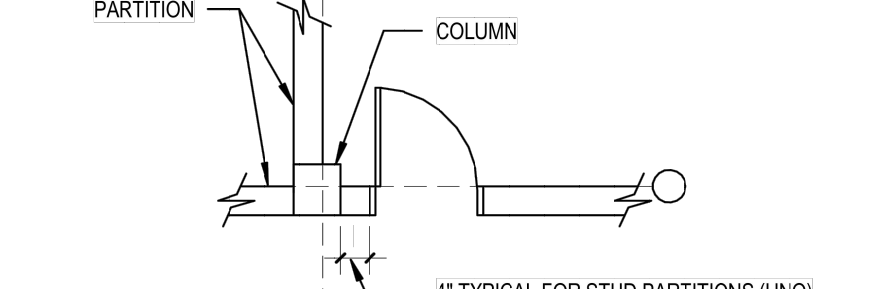
- DIMENSIONS WILL NOT BE SHOWN FOR THE FOLLOWING CONDITIONS:
 - WHEN PARTITION IS CENTERED ON GRID LINE
 - WHEN PARTITION IS SHOWN FLUSH WITH COLUMN FACE
 - WHEN PARTITION IS SHOWN FLUSH WITH GRID LINE
 - WHEN FACE OF PARTITION IS CENTERED ON GLAZING MULLION
 - MASONRY / METAL STUD WALLS ARE DIMENSIONED FROM FINISHED FACE.



- FOR OPENINGS IN PARTITIONS OR WALLS:
 - WHEN ONE OCCURS AT GRIDLINE, NO DIMENSIONS WILL BE SHOWN AND WIDTH WILL BE ESTABLISHED BY EITHER CRITERIA OR SCHEDULES
 - WHEN NEITHER JAMB OCCURS AT A PARTITION INTERSECTION, AT A COLUMN OR AT A GRIDLINE, ONE JAMB WILL BE LOCATED DIMENSIONALLY BY THE DETAIL
 - WHEN ONE JAMB IS LOCATED BY A COLUMN INTERSECTION, THE FOLLOWING DIAGRAM APPLIES:



- WHEN ONE JAMB IS LOCATED BY A COLUMN, THE FOLLOWING DIAGRAM APPLIES:

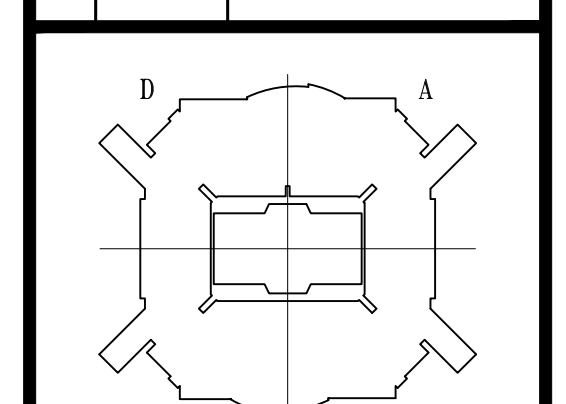


POPULOUS™
DRAWING PEOPLE TOGETHER™
POPULOUS, INC.
Architecture, Engineering,
Planning, Interiors, Facility Programming
4800 Main, Suite 300
Kansas City, Missouri 64112
816-221-1500

**RAYMOND JAMES
STADIUM**
TAMPA, FLORIDA

PACKAGE
SEATING BOWL GLASS RAILING
REPLACEMENT PROJECT

REVISIONS		
NO.	DATE	DESCRIPTION



KEYPLAN

PROJECT NO: 19-4827-00	ISSUED BY: POPULOUS
DRAWN BY:	REVIEWED BY:
ISSUED: 09/12/19	
SHEET TITLE	

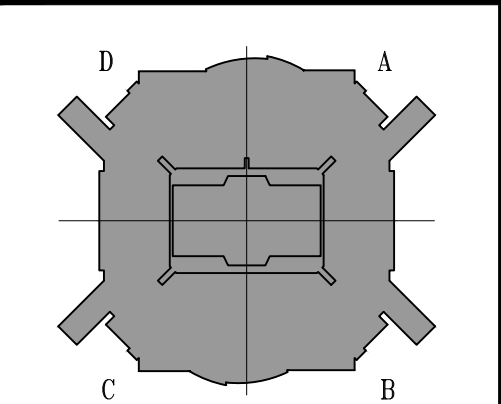
ARCHITECTURAL
GRAPHIC
STANDARDS

**RAYMOND JAMES
STADIUM
TAMPA, FLORIDA**

PACKAGE:
SEATING BOWL GLASS RAILING
REPLACEMENT PROJECT

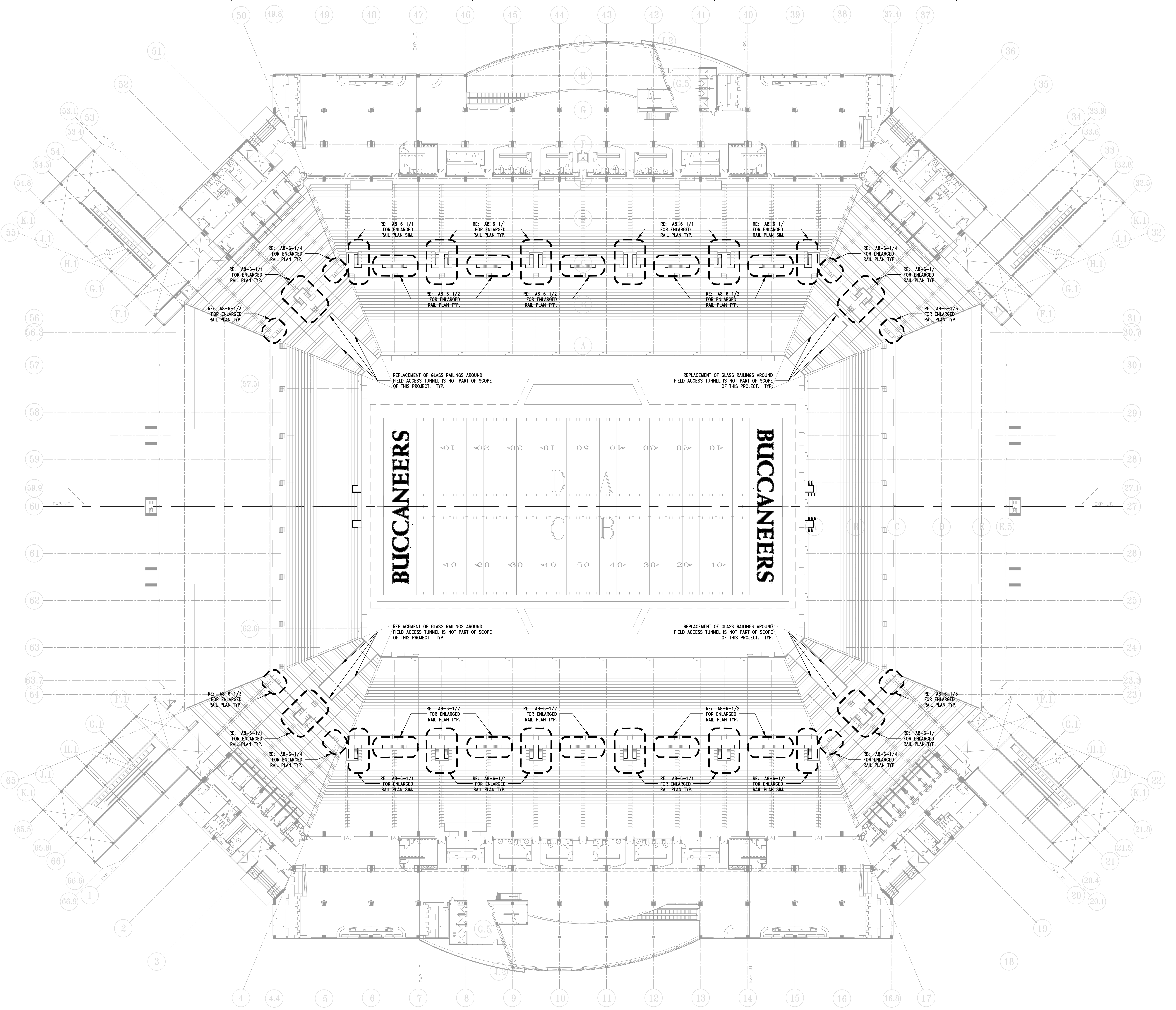
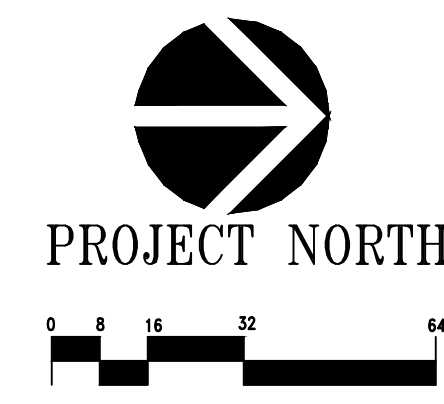
REVISIONS

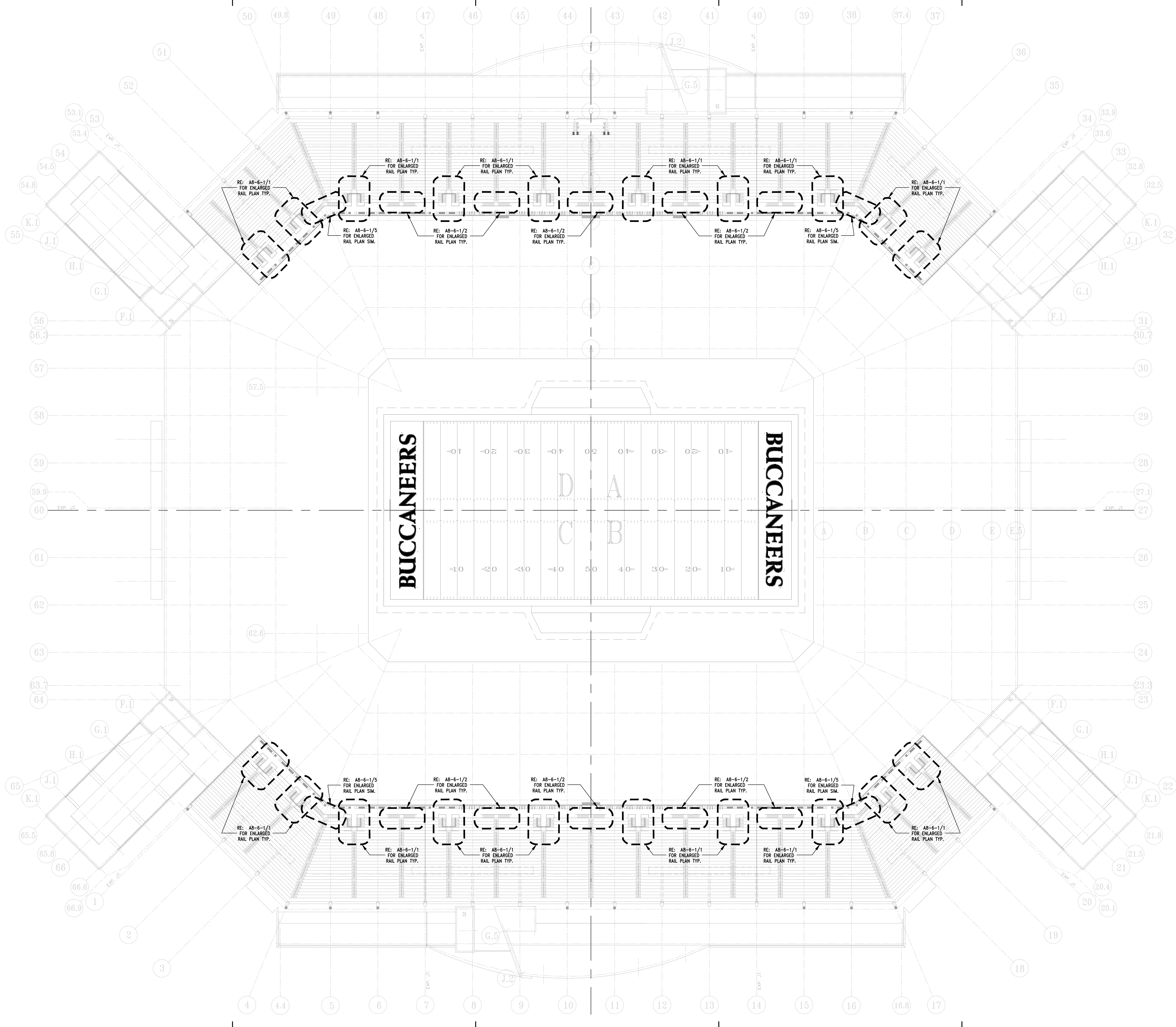
NO.	DATE	DESCRIPTION



PROJECT NO. 19-4827-00	ISSUED BY: POPULOUS
DRAWN BY:	REVIEWED BY:
ISSUED: 09/12/19	
SHEET TITLE	

REFERENCE PLAN
CLUB LEVEL
LEVEL 4
CATEGORY - SUB-CATEGORY - SHEET
A.1-4



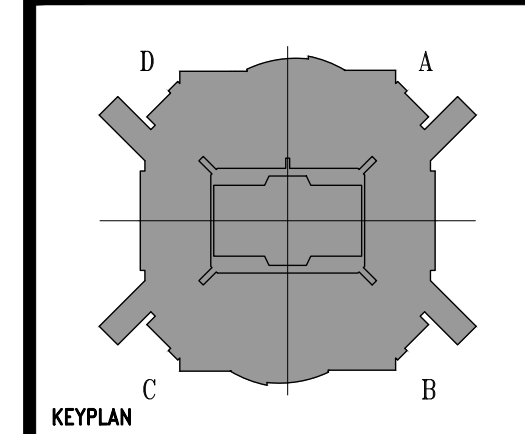


**RAYMOND JAMES
 STADIUM**
 TAMPA, FLORIDA

PACKAGE:
 SEATING BOWL GLASS RAILING
 REPLACEMENT PROJECT

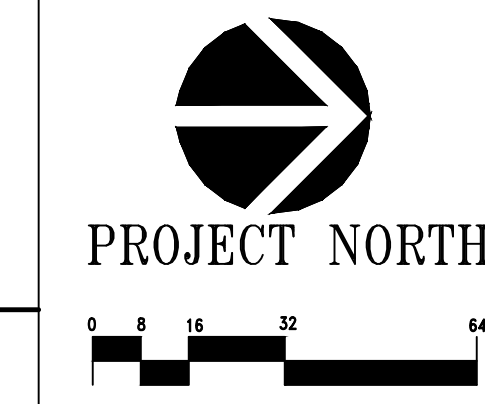
REVISIONS

NO.	DATE	DESCRIPTION

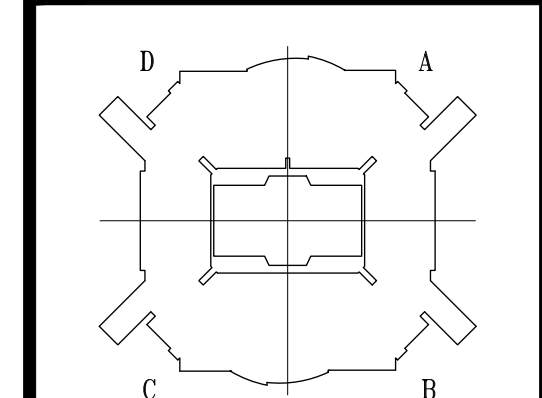


PROJECT NO: 19-4827-00	ISSUED BY: POPULOUS
DRAWN BY:	REVIEWED BY:
ISSUED: 09/12/19	SHEET TITLE: UPPER DECK LEVEL REFERENCE PLAN
CATEGORY - SUB-CATEGORY	SHEET

A1-9



NO.	DATE	DESCRIPTION

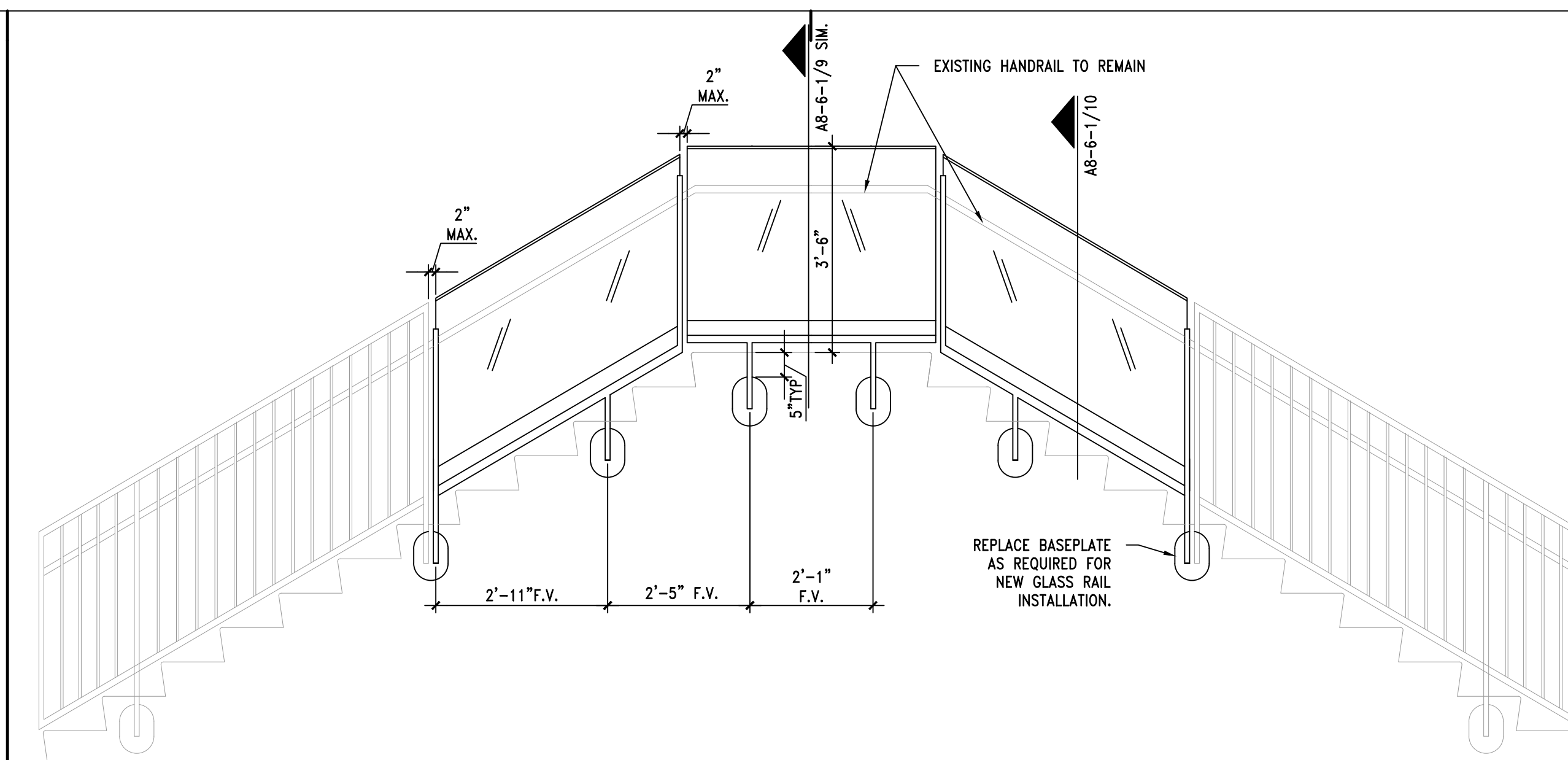


PROJECT NO: 19-4827-00	ISSUED BY: POPULOUS
DRAWN BY:	REVIEWED BY:
ISSUED: 09/12/19	
SHEET TITLE	

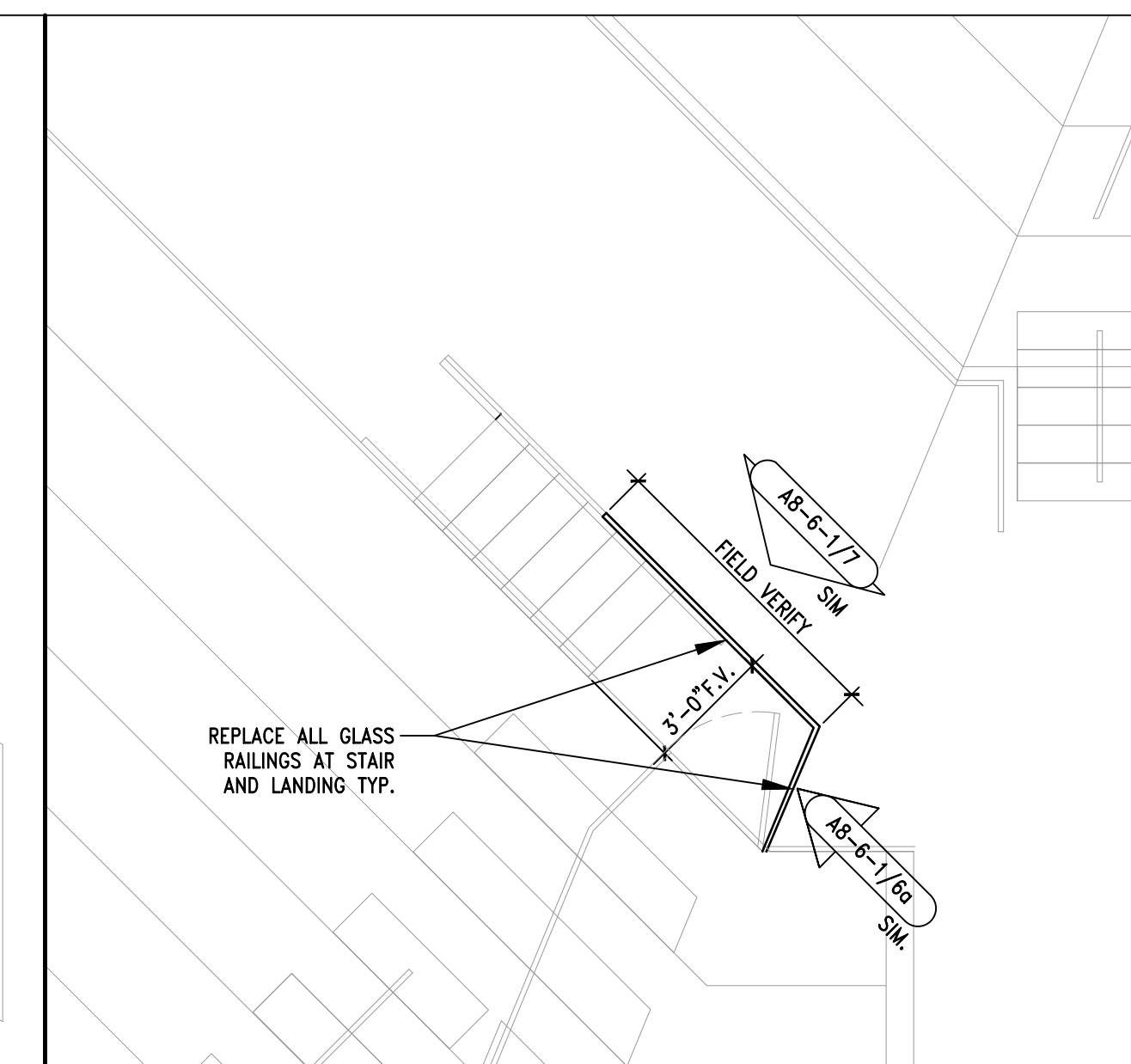
**RAILING
ENLARGED PLANS
& DETAILS**

CATEGORY - SUB-CATEGORY - SHEET

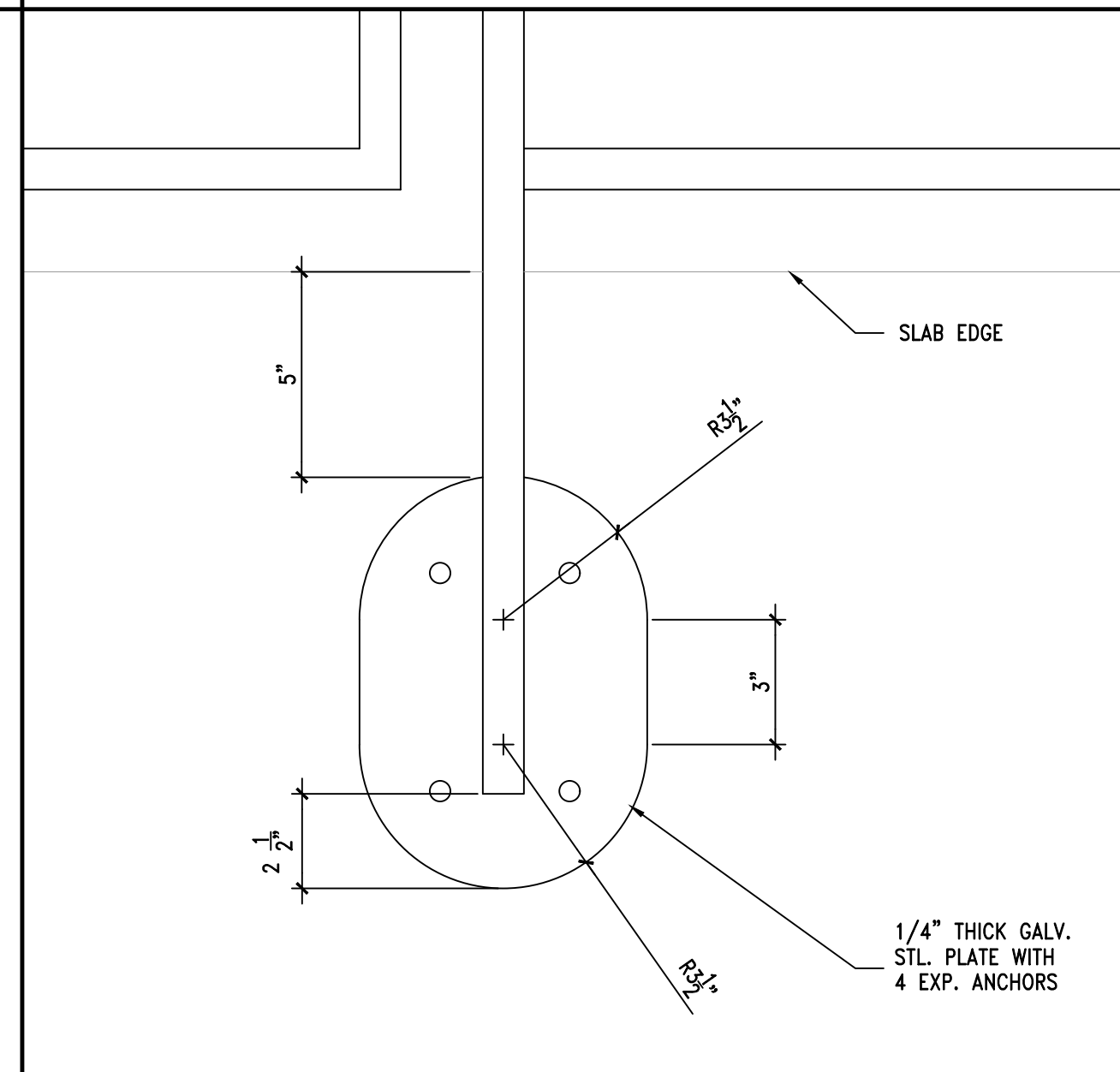
A.8-6-1



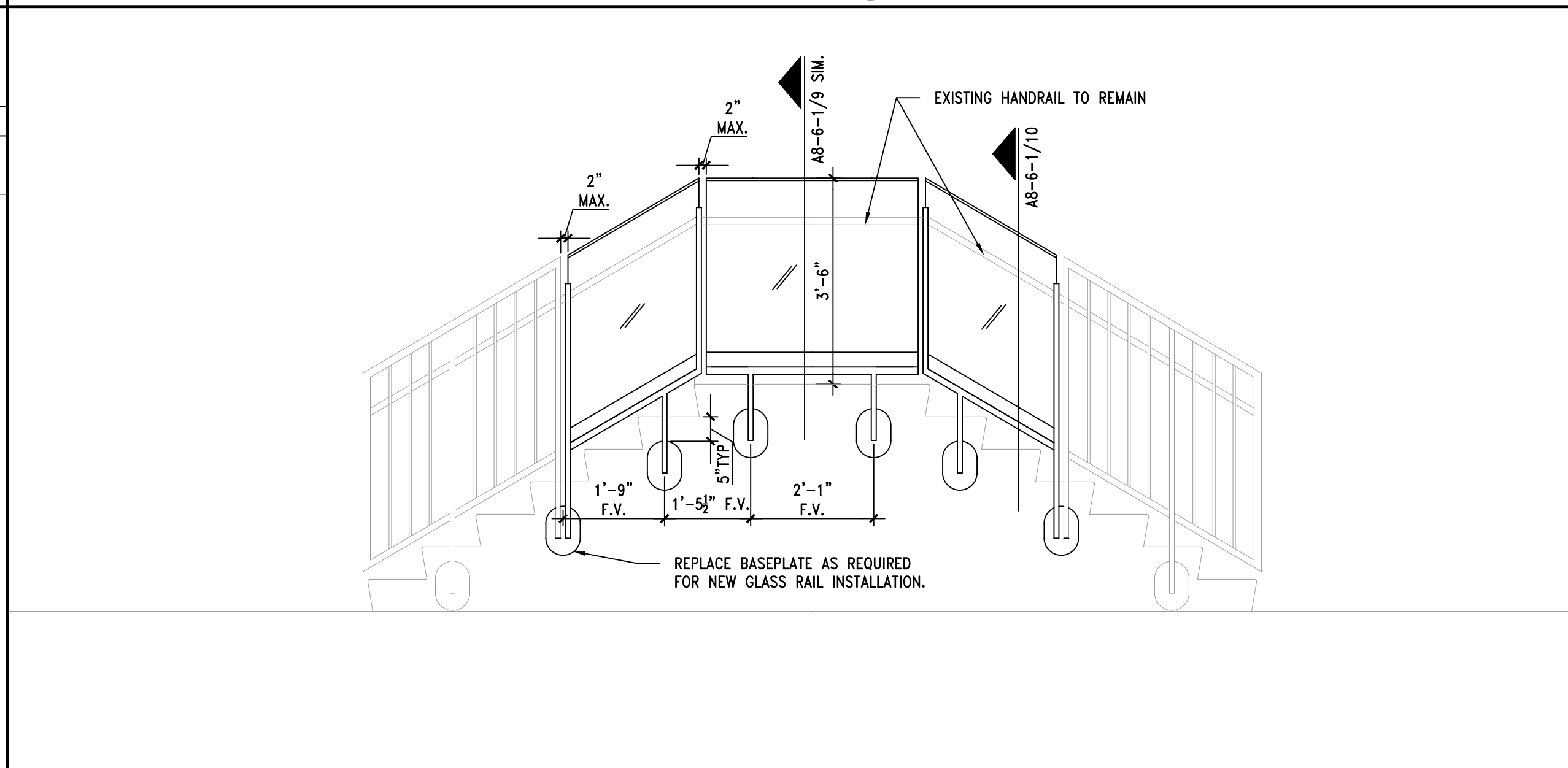
8 UP CONC. CROSSAISLE STAIR RAIL ELEV.
1/2"=1'-0"



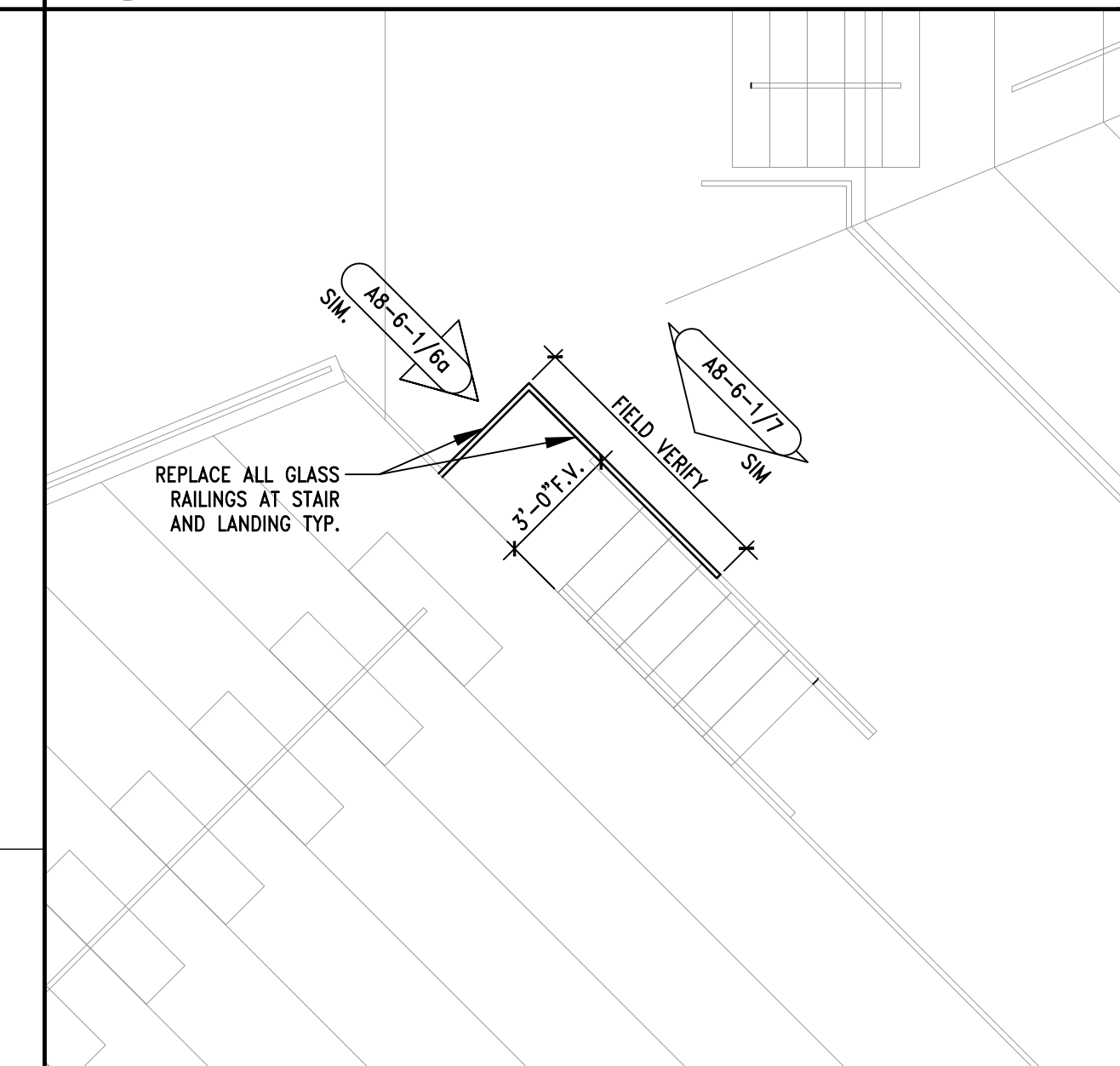
4 MAIN CONC. CROSSAISLE STAIR RAIL PLAN
1/4"=1'-0"



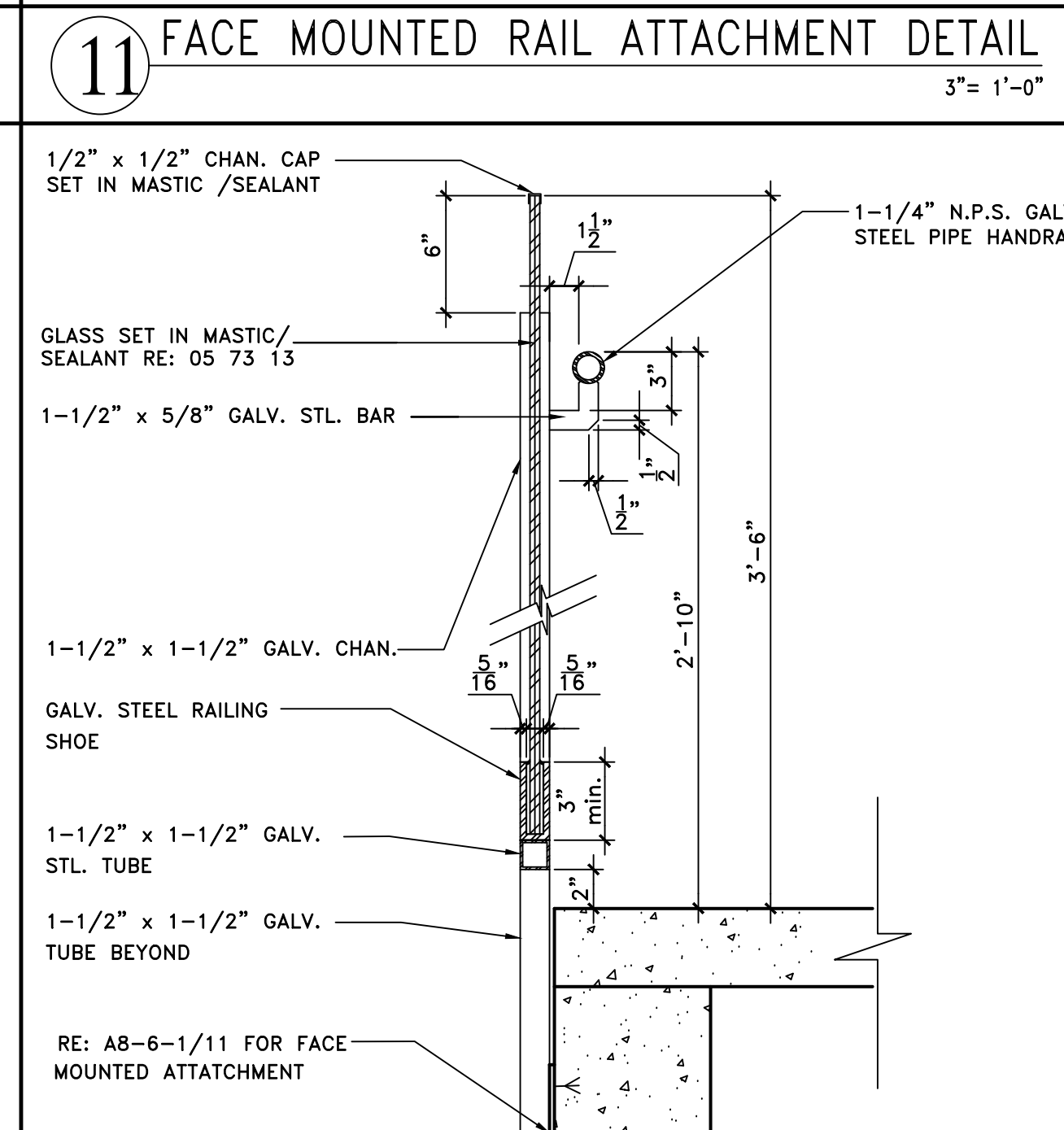
11 FACE MOUNTED RAIL ATTACHMENT DETAIL
3"= 1'-0"



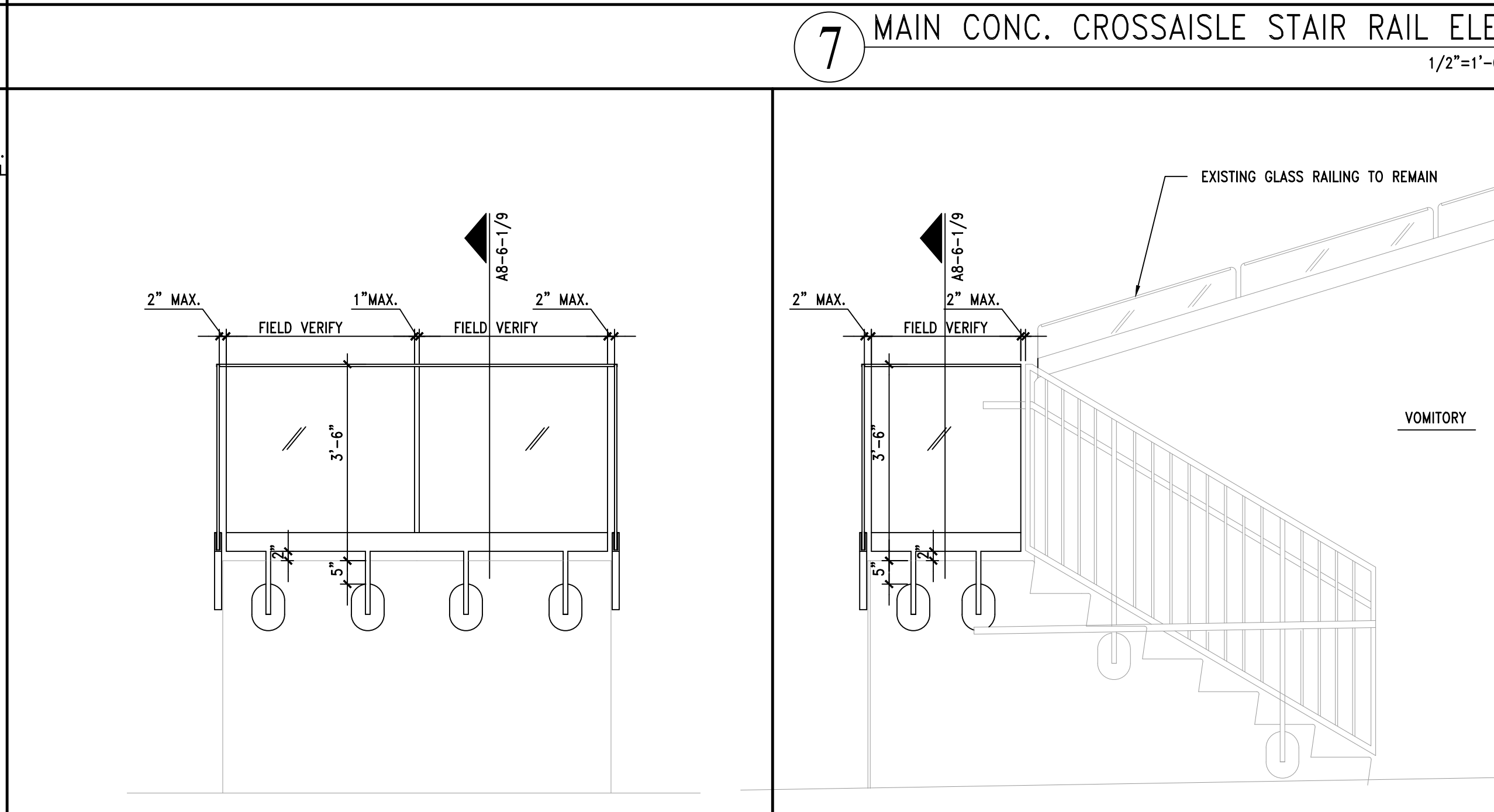
7 MAIN CONC. CROSSAISLE STAIR RAIL ELEV.
1/2"=1'-0"



3 MAIN CONC. CROSSAISLE STAIR RAIL PLAN
1/4"=1'-0"

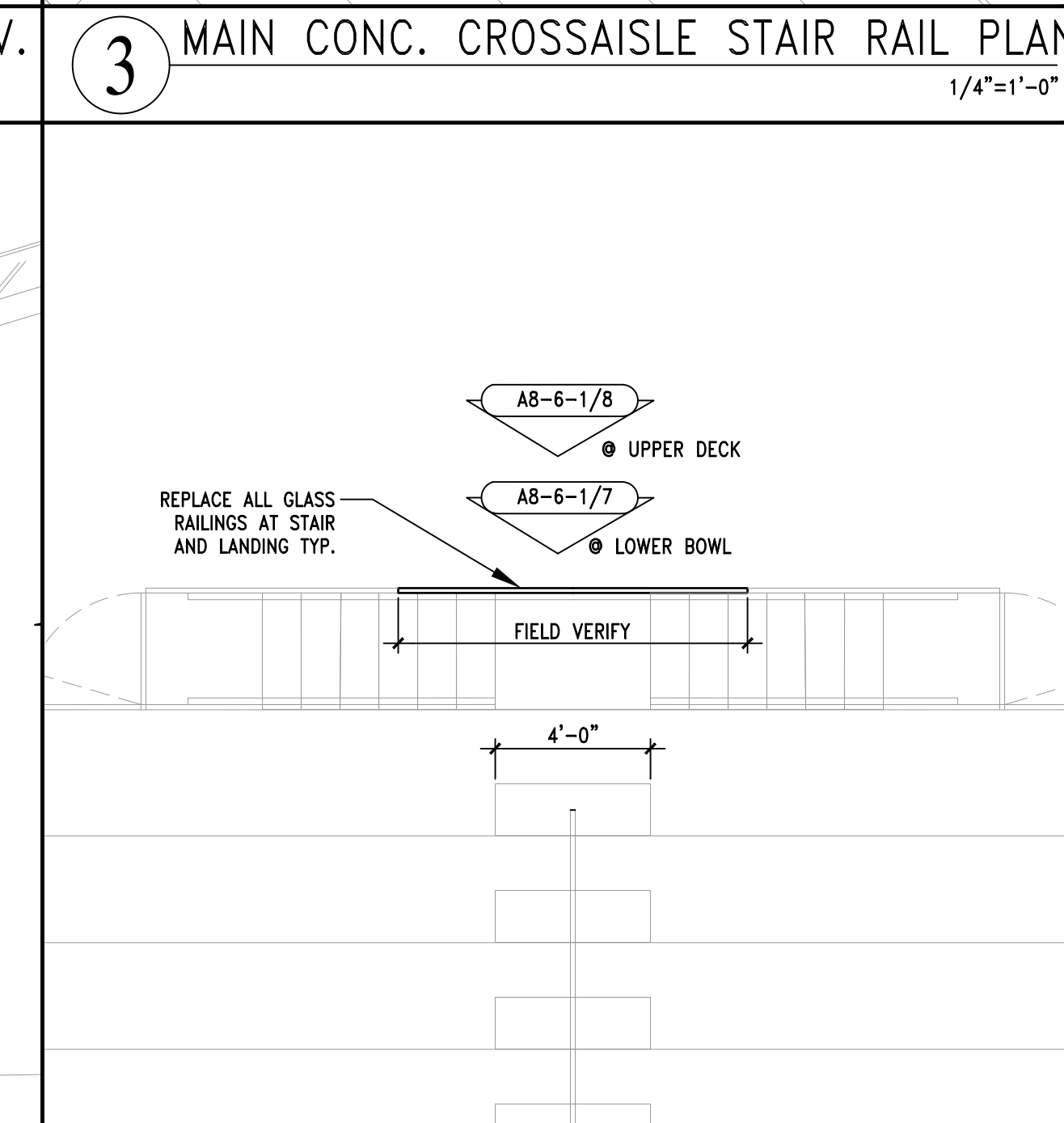


10 GLASS RAILING DETAIL
1-1/2"=1'-0"

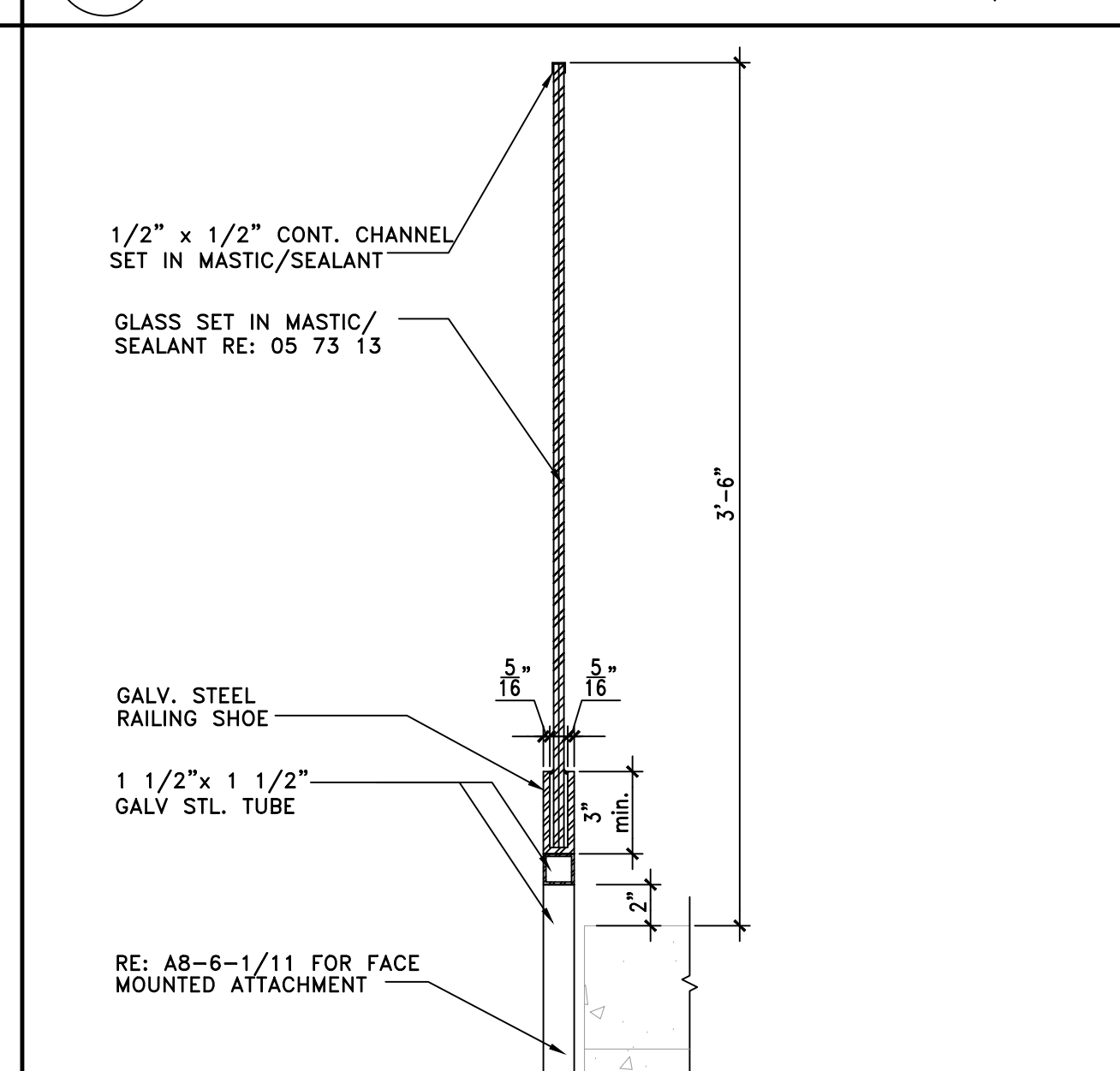


6b MAIN CONCOURSE VOMITORY RAIL ELEV.
UPPER CONCOURSE SIMILAR
1/2"=1'-0"

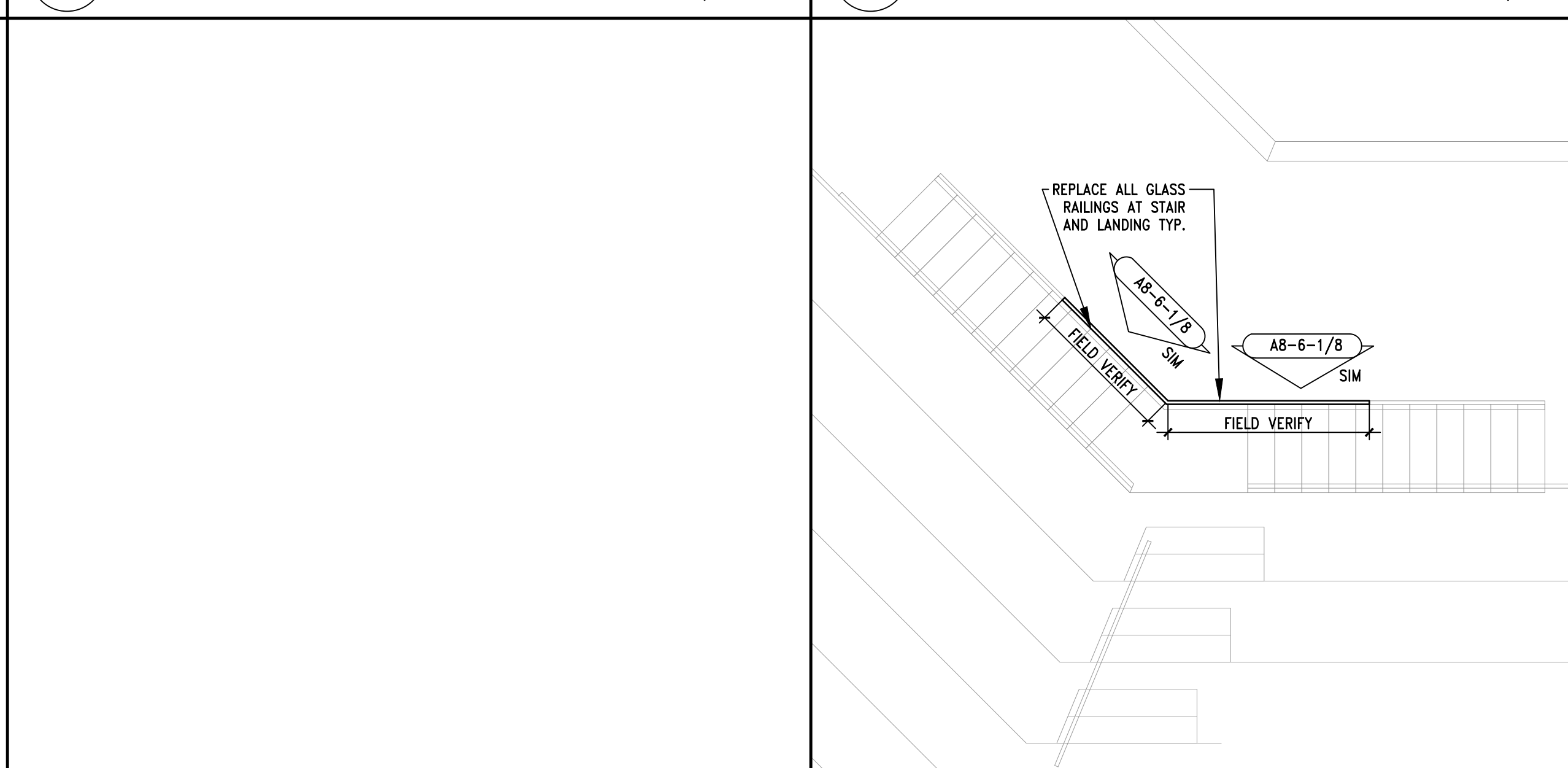
6a MAIN CONCOURSE VOMITORY RAIL ELEV.
UPPER CONCOURSE SIMILAR
1/2"=1'-0"



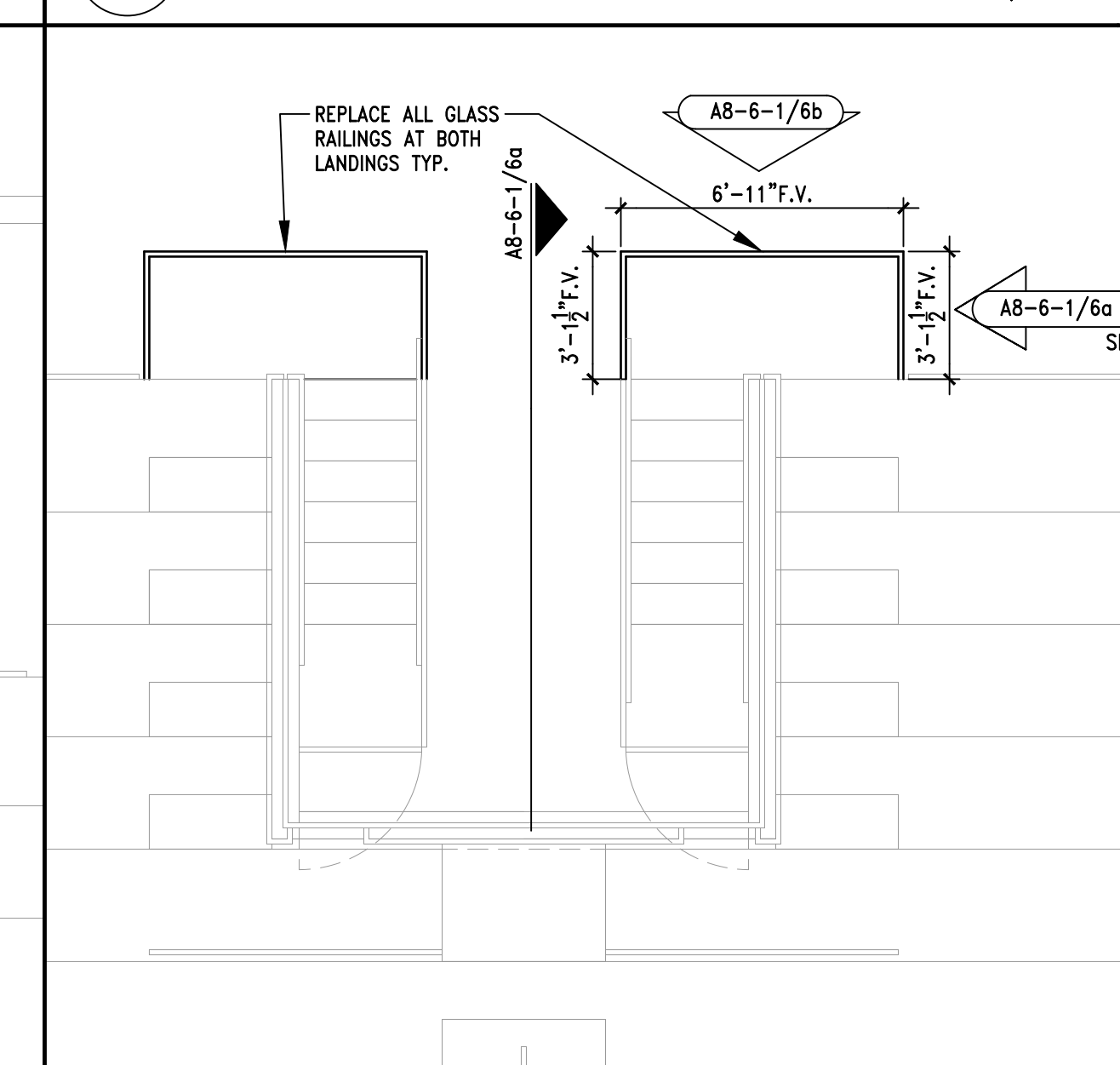
2 MAIN CONC. CROSSAISLE STAIR RAIL PLAN
UPPER CONCOURSE SIMILAR
1/4"=1'-0"



9 GLASS RAILING DETAIL
1-1/2"=1'-0"



5 UPPER CONCOURSE VOMITORY RAIL PLAN
UPPER CONCOURSE SIMILAR
1/4"=1'-0"



1 MAIN CONCOURSE VOMITORY RAIL PLAN
UPPER CONCOURSE SIMILAR
1/4"=1'-0"