

ADDENDUM No. 1 – (February 19, 2019)

ADDENDUM TO: Install Security Gate, Main Guard Post, RJS
BID NUMBER: Bid #18-07
BID DUE DATE: Thursday, February 21, 2019 not later than 10:00am

TO BIDDER: This addendum is an integral part of the Bid file under consideration by you as a bidder in connection with the subject matter identified above. For the purpose of clarification the following additions, changes, modifications and replacements noted below have been made to the Bid and have been made to the Bid file which bears the above title.

Bids submitted shall conform to these additions and modifications noted herein and including all issued addendums.

Questions, Answers and Attachments

1. EStar O2 CCure board – to be discussed prior to installation.
2. No license plate reader feature on camera will be required.
3. Reader must be long distance.
4. The requirement for surge protection to be discussed prior to installation.

Note: To qualify your proposal, of which this addendum becomes a part, this form must be completed and returned to this office with the proposal.

Date: _____

Authorized Signature of Company Rep.

Printed Name of Company Rep.

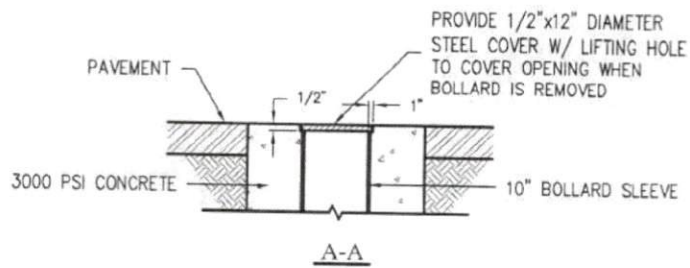
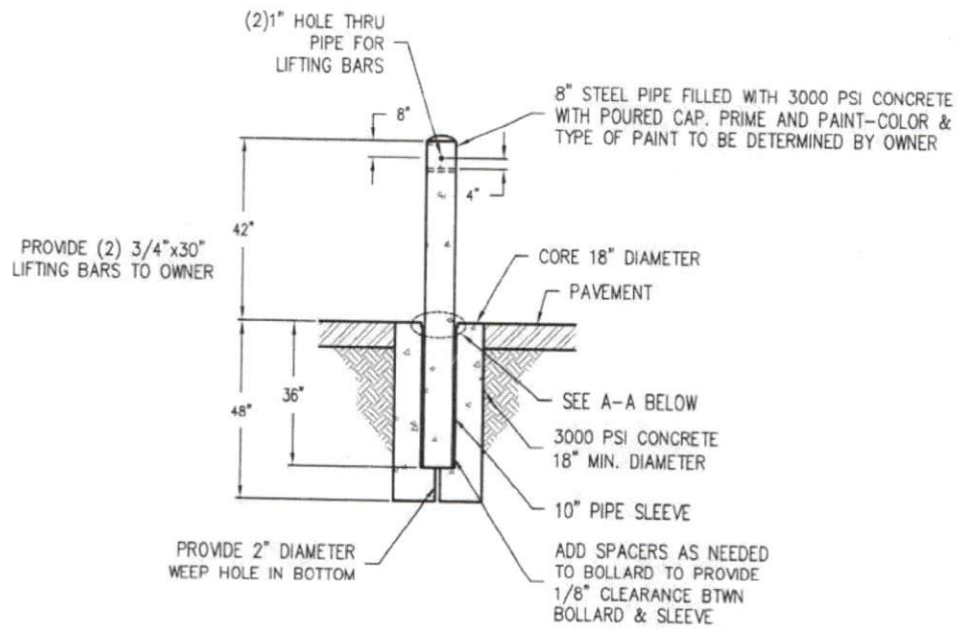
Company: _____

Address: _____

Telephone: _____

Contact's Email: _____

End of Addendum #1



8" REMOVABLE BOLLARD DETAIL

NOT TO SCALE



Power and fiber accessible from spare in cooling tower yard

1601-080 Doorking Barrier Gate Operator and 16' 1601-520 Doorking Barrier Gate Arm or approved equal

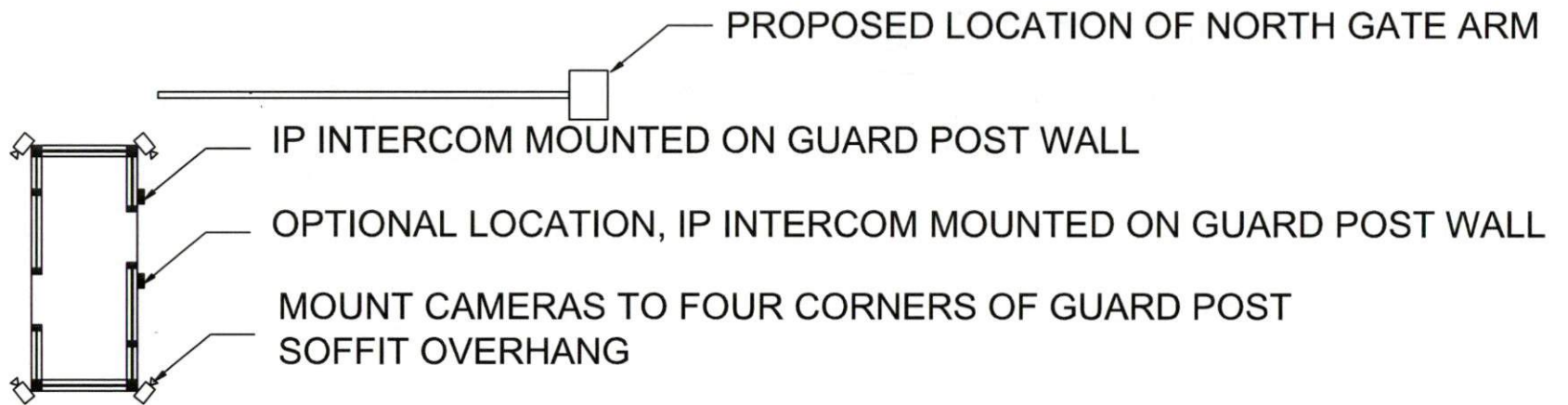
PROPOSED LOCATION OF INTERCOM

Provide 6 concrete filled 8" diameter removeable bollards per specifications

1601-080 Doorking Barrier Gate Operator and 16' 1601-520 Doorking Barrier Gate Arm or approved equal

TYP 5' O.C.

Google Earth



EXISTING GUARD POST PLAN