

# RAYMOND JAMES STADIUM

## TAMPA, FLORIDA

### SEATING BOWL GLASS RAILING REPLACEMENT PROJECT



CONSTRUCTION  
DOCUMENTS PACKAGE  
SEPTEMBER 12, 2019

DRAWINGS INCLUDED  
IN THIS SET:

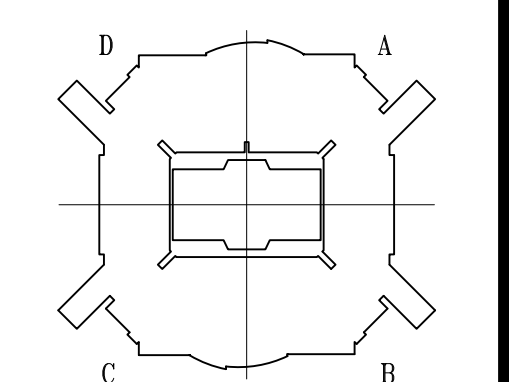
- X0-0 - COVER SHEET
- A0-1 - ARCHITECTURAL GRAPHIC STANDARDS
- A1-4 - CLUB LEVEL REFERENCE PLAN
- A1-9 - UPPER DECK LEVEL REFERENCE PLAN
- A8-6-1 - RAILING ENLARGED PLANS & DETAILS

**POPULOUS™**  
DRAWING PEOPLE TOGETHER®

POPULOUS, INC  
Architecture, Engineering, Planning,  
Interiors, Facility Programming  
4800 Main Street, Suite 300  
Kansas City, Missouri 64112  
816-221-1500



NO.	DATE	DESCRIPTION



ABBREVIATIONS		
&	AND	KIT
@	AT	KO
#	NUMBER OR FOUND	L
ACUST	ACOUSTICAL	LT (LTG)
AD	AREA DRAIN	LWC
ADJ	ADJUSTABLE	M
AFJ	ABOVE FINISH FLOOR	MAS
AHJ	AIR HANDLING UNIT	MAX
ALUM	ALUMINUM	MECH
AP	ACCESS PANEL	MFG
APC	ARCHITECTURAL PRECAST CONCRETE	MFR
APPROX	APPROXIMATE	MH
ARCH	ARCHITECTURAL	MN
AV	AUDIO/VISUAL	MISC
BD	BOARD	MO
BLDG	BUILDING	MTD
BLKG	BLOCKING	MTL
BM	BEAM	N
BRG	BEARING	NA
CFMF	COLD FORMED METAL FRAMING	NC
CG	CORNER GUARD	NQ
CFP	CAST-IN-PLACE	NDM
CJ	CONTROL JOINT	NFS
CLG	CEILING	NTS
CLO	CLOSET	OC
CMU	CONCRETE MASONRY UNIT	OD
COL	COLUMN	OFF
CONC	CONCRETE	OH
CONN	CONNECTION	OPNG
CONSTR	CONSTRUCTION	ORD
CONT	CONTINUOUS	OZ
CONTR	CONTRACTOR	PA
COOR	CORRIDOR	PC
COPI	COPY	PL
CTR	CENTER	PLAS
DBL	DOUBLE	PLBS
DEPT	DEPARTMENT	PLYWD
DF	DECKING FOUNTAIN	POL
DA	DIAMETER	PR
DNM	DIMENSION	PT
DN	DOWN	PTD
DR	DOWN SPOUT	QTY
DS	DOWN	R
DTL	DETAIL	RCP
DW	DISH WASHER	RD
DWG(S)	DRAWING(S)	RE
E	EAST	REF
E	ELEVATION	REFR
EA	EACH	REIN
EJ	EXPANSION JOINT	REIN
ELEC	ELECTRICAL	REQD
ELY	ELEVATOR	REV
EOS	EDGE OF SLAB	RM
EQU	EQUAL	RO
EQUIP	EQUIPMENT	RTU
EWC	ELECTRIC WATER COOLER	S
EXST	EXISTING	SAN
EXP	EXPANSION	SC
EXT	EXTERIOR	SCHED
FAP	FIRE ALARM PANEL	SD
FD	FLOOR DRAIN	SECT
FDN	FOUNDATION	SF
FE	FIRE EXTINGUISHER	SH
FEC	FIRE EXTINGUISHER CABINET	SHT
FFD	FUNNEL FLOOR DRAIN	SP
FFE	FURNISHINGS, FIXTURES, EQUIPMENT	SPEC
FHC	FIRE HOSE CABINET	SPHD
FN	FINISH	SPKR
FL	FLOOR	SQ
FOC	FACE OF CONCRETE	SS
FOF	FACE OF FINISH	STD
FOS	FACE OF STUD	STL
FR (FRM)	FRAME	STOR
FS	FLOOR SINK	STRUCT
FT	FOOT OF FEET	SY (SQ YD)
FTG	FOOTING	T
FURRR	FLOORING	T&G
FV	FIRE VALVE CABINET	TEL
FVC	FIRE VALVE	TEMP
GALV	GALVANIZED	TCC
GC	GENERAL CONTRACTOR	TOD
GL	GLASS	TOS
GYP BO	GYP SUM BOARD	TOW
HB	HOSE BIB	TV
HC	HOLLOW CORE	TYP
HD	HEAD	UNO
HDW	HARDWARE	UNLESS NOTED OTHERWISE
HDWD	HARDWOOD	VS (VPR BR)
HM	HOLLOW METAL	VEND
HORIZ	HORIZONTAL	VERT
HT	HEIGHT	VEST
ICE	ICE MAKER	W
ID	INSIDE DIAMETER/DIMENSION	WI
IN	INCH	WID
INFO	INFORMATION	WIL
INSUL	INSULATION	WID
INT	INTERIOR	WID
JAN	JANITOR	WIDW
JST	JOIST	WP
JT	JOINT	WT

GRAPHIC SYMBOLS		
	COLUMN AND/OR GRID LINES	0 8' 16' 32'
	FLOOR PLAN MATCHLINE SYMBOL	0 8' 16' 32'
	CENTERLINE SYMBOL / GRID LINE	
	GRAPHIC SCALE SYMBOL	
	NORTH ARROW SYMBOL	
	MATERIAL KEYNOTE SYMBOL	10 23 01
	SPOT ELEVATION SYMBOL	0'-0"
	FLOOR ELEVATION LEVEL SYMBOL	Level 1 0'-0"
	DETAIL REFERENCE SYMBOLS	DETAIL SHEET NUMBER
	EXTERIOR BUILDING SECTION SYMBOL	
	BUILDING WALL SECTION SYMBOL	
	DETAIL SECTION SYMBOL	
	BUILDING ELEVATION SYMBOL	
	INTERIOR ELEVATION/DETAIL SYMBOL	
	DEMO KEYNOTE	
	RAILING SYMBOL	RAIL TYPE DESIGNATION RAIL TYPE NUMBER
	REVISIONS SYMBOL	AREA / ITEM REVISED REVISION NUMBER
	CASEWORK SYMBOL	CASEWORK DESIGNATION NUMBER (REFER TO SCHEDULE)
	TELEVISION SYMBOL	TV ID EXPOSURE INT = INTERIOR S = SEMI-EXPOSED E = EXTERIOR MOUNTING CONDITION WF = WALL FIXED WT = WALL TILT WS = WALL SWING ARM CS = CEILING SINGLE CM = CEILING MULTIPLE RG = REGRAPHS HEIGHT TO BOTTOM OF TV SIZE (INCHES)
	ROOM / SPACE IDENTIFICATION SYMBOL	ROOM NAME ROOM NUMBER COLUMN GRID REFERENCE NUMBER FLOOR LEVEL
	DOOR NUMBER AND TYPE SYMBOL	EACH DOOR NUMBER INDICATES THE ROOM / SPACE AND IS ALPHABETIZED WHEN MORE THAN ONE DOOR EXISTS FOR ONE ROOM / SPACE. ROOM / SPACE NUMBER DOOR IDENTIFICATION (B = SECOND DOOR)

FIRE EXTINGUISHER SYMBOLS		
	FIRE EXTINGUISHER & RECESSED CABINET	
	FIRE EXTINGUISHER & SEMI-RECESSED CABINET	
	FIRE EXTINGUISHER & SURFACE MOUNTED CABINET	
	FIRE EXTINGUISHER & SURFACE MOUNTED BRACKET	

REFLECTED CEILING PLAN SYMBOLS		
	2' x 4' LAY-IN GRID	
	2' x 2' LAY-IN GRID	
	H.H. DENOTES HIGH HUMIDITY GRID SYSTEM IS REQUIRED IN SPACE	
	CEILING-MOUNTED FIRE ALARM DEVICE	
	FIRE SPRINKLER HEAD	
	2' x 4' FIXTURE IN GRID	
	1' x 4' FIXTURE IN GRID	
	2' x 2' FIXTURE IN GRID	
	STRIP LIGHT FIXTURE	
	RECESSED CAN LIGHT FIXTURE	
	WALL MOUNTED LIGHT FIXTURE	
	PENDANT MOUNTED LIGHT FIXTURE	
	SURFACE MOUNTED CAN LIGHT FIXTURE	
	SUPPLY DIFFUSER	
	RETURN AIR GRILLE OR EXHAUST	

PARTITION TYPE SYMBOL		
	BASIC MATERIAL	
	BASIC SIZE	
	APPLIED LAYERS CODE	
	MODIFYING CONDITIONS CODE	

FIRE & SMOKE RATED PARTITION INDICATION		
	ONE HOUR FIRE RATED PARTITION	
	TWO HOUR FIRE RATED PARTITION	
	THREE HOUR FIRE RATED PARTITION	
	FOUR HOUR FIRE RATED PARTITION	
	PARTITION TO RESIST PASSAGE OF SMOKE	

MATERIAL PATTERNS		
	DRYWALL CEILING OR SOFFIT	
	SHOWER CEILING - TILE BACKING PANELS W/ SKIM COAT & PAINT	
	PORTLAND CEMENT STUCCO SOFFIT	
	EIFS OR DAFS SOFFIT	
	SUBFLOOR (INDICATING ORIENTATION)	
	EARTH	
	AGGREGATE FILL	
	CONCRETE	
	PRECAST CONCRETE	
	BRICK IN PLAN	
	CONCRETE MASONRY UNITS	
	CUT-BLOCK STONE	
	STEEL	
	MORTAR NET	
	DISCONTINUOUS ROUGH LUMBER	
	CONTINUOUS LUMBER	
	RIGID INSULATION	
	BLANKET INSULATION	
	FIRE SAFING INSULATION	
	INSULATED METAL PANEL	
	GROUT	
	LATH & PLASTER	
	GYP SUM BOARD	
	MARBLE / GRANITE	
	ACOUSTICAL TILE / BOARD	
	WOOD GRAIN	
	PLYWOOD	
	FINISH LUMBER	

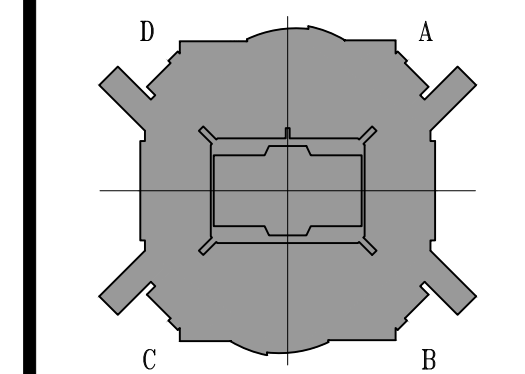
  

DIMENSIONING CRITERIA		
ALL DRAWINGS ARE INTENDED TO BE COMPLEMENTARY. NOTIFY THE ARCHITECT OF ANY DIMENSIONING DISCREPANCY PRIOR TO PROCEEDING.		
DIMENSIONS ARE AS IDENTIFIED ON THE DOCUMENTS OR AS ESTABLISHED BY CRITERIA AS FOLLOWS:		
1. DIMENSIONS WILL NOT BE SHOWN FOR THE FOLLOWING CONDITIONS:		
• WHEN PARTITION IS CENTERED ON GRID LINE		
• WHEN PARTITION IS SHOWN FLUSH WITH COLUMN FACE		
• WHEN PARTITION IS SHOWN FLUSH WITH GRID LINE		
• WHEN FACE OF PARTITION IS CENTERED ON GLAZING MULLION		
2. MASONRY / METAL STUD WALLS ARE DIMENSIONED FROM FINISHED FACE.		
3. FOR OPENINGS IN PARTITIONS OR WALLS:		
• WHEN ONE OCCURS AT GRIDLINE, NO DIMENSIONS WILL BE SHOWN AND WIDTH WILL BE ESTABLISHED BY EITHER CRITERIA OR SCHEDULES		
• WHEN NEITHER JAMB OCCURS AT A PARTITION INTERSECTION, AT A COLUMN, OR AT A GRIDLINE, ONE JAMB WILL BE LOCATED DIMENSIONALLY BY THE DETAIL.		
• WHEN ONE JAMB IS LOCATED BY A COLUMN INTERSECTION, THE FOLLOWING DIAGRAM APPLIES:		
• WHEN ONE JAMB IS LOCATED BY A COLUMN, THE FOLLOWING DIAGRAM APPLIES:		

**RAYMOND JAMES  
STADIUM  
TAMPA, FLORIDA**

PACKAGE  
SEATING BOWL GLASS RAILING  
REPLACEMENT PROJECT

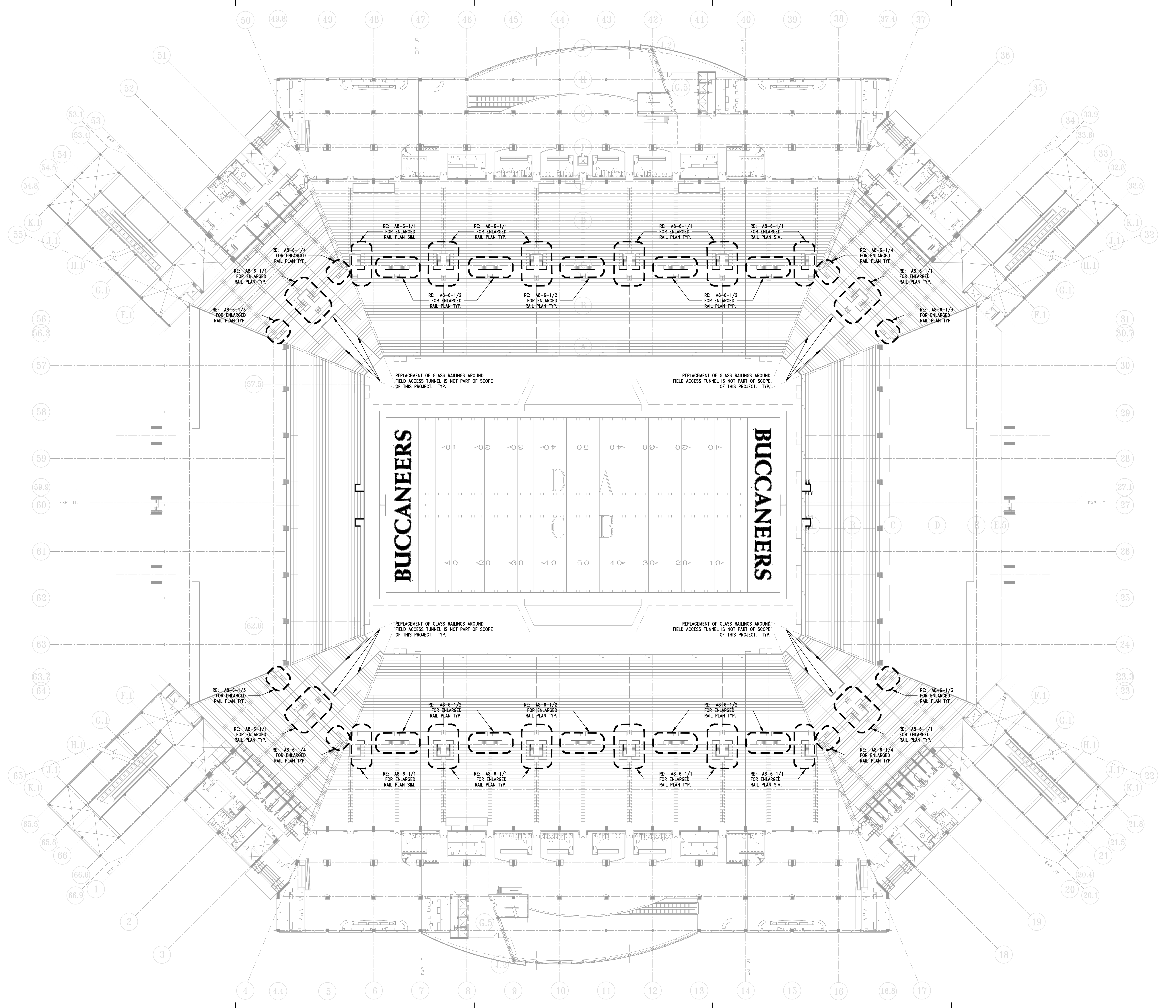
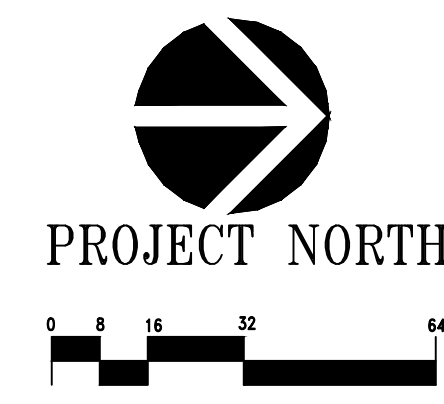
REVISIONS		
NO.	DATE	DESCRIPTION



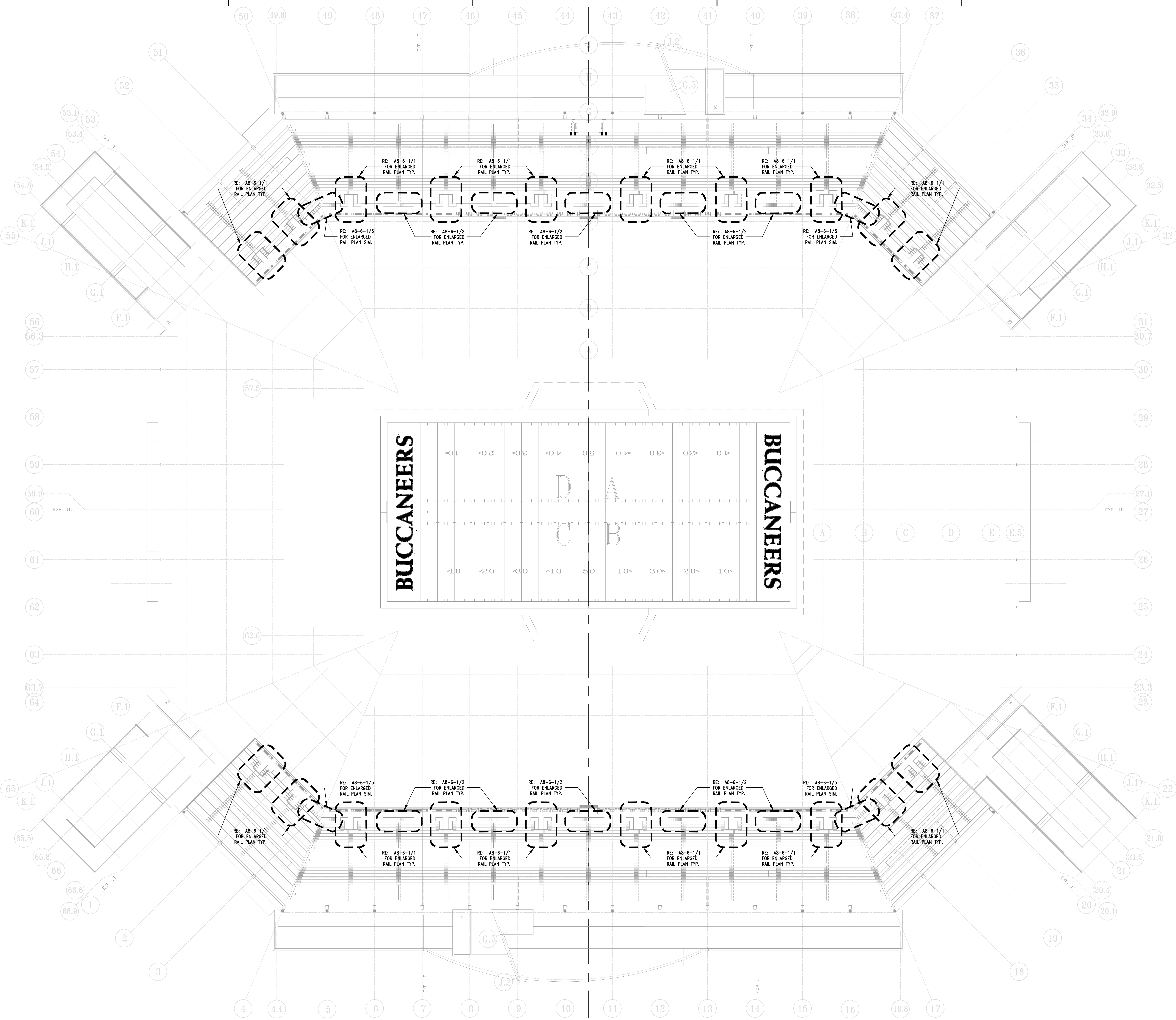
PROJECT NO: 19-4827-00 ISSUED BY: POPULOUS  
DRAWN BY: REVIEWED BY:  
ISSUED: 09/12/19  
SHEET TITLE

REFERENCE PLAN  
CLUB LEVEL  
LEVEL 4

CATEGORY - SUB-CATEGORY - SHEET  
**A.1-4**







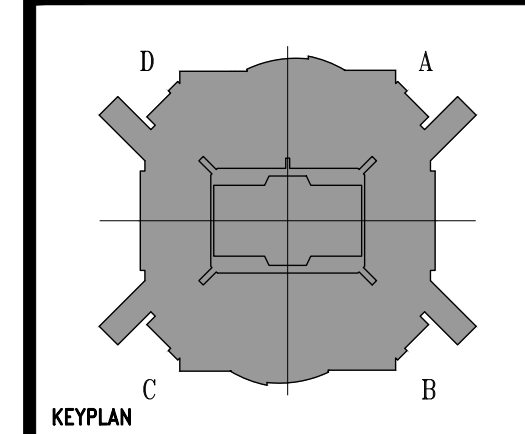
**POPULOUS™**  
DRAWING PEOPLE TOGETHER™  
 POPULOUS, INC.  
 Architecture, Engineering,  
 Planning, Interiors, Facility Programming  
 4800 Main, Suite 300  
 Kansas City, Missouri 64112  
 816-221-1500

**RAYMOND JAMES  
 STADIUM**  
 TAMPA, FLORIDA

PACKAGE:  
 SEATING BOWL GLASS RAILING  
 REPLACEMENT PROJECT

REVISIONS

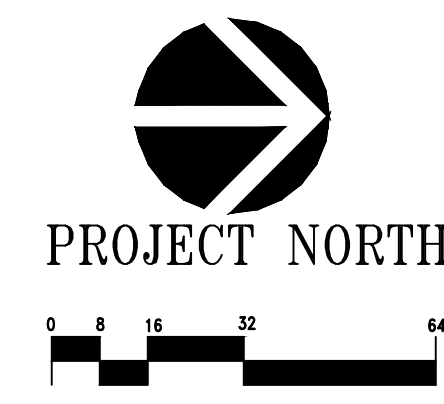
NO.	DATE	DESCRIPTION



PROJECT NO: 19-4827-00	ISSUED BY: POPULOUS
DRAWN BY:	REVIEWED BY:
ISSUED: 09/12/19	
SHEET TITLE	

UPPER DECK  
 LEVEL REFERENCE  
 PLAN

CATEGORY - SUB-CATEGORY - SHEET  
**A1-9**

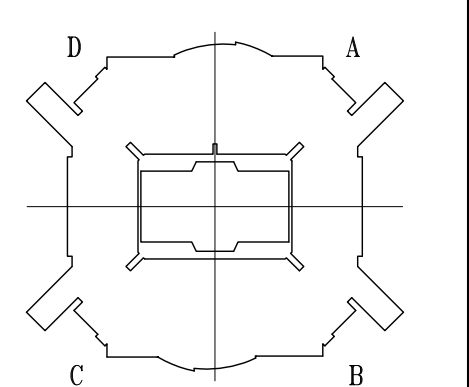




**RAYMOND JAMES  
STADIUM**  
TAMPA, FLORIDA

PACKAGE  
SEATING BOWL GLASS RAILING  
REPLACEMENT PROJECT

REVISIONS  
NO. DATE DESCRIPTION  
1 11/12/21 ADDENDUM #3



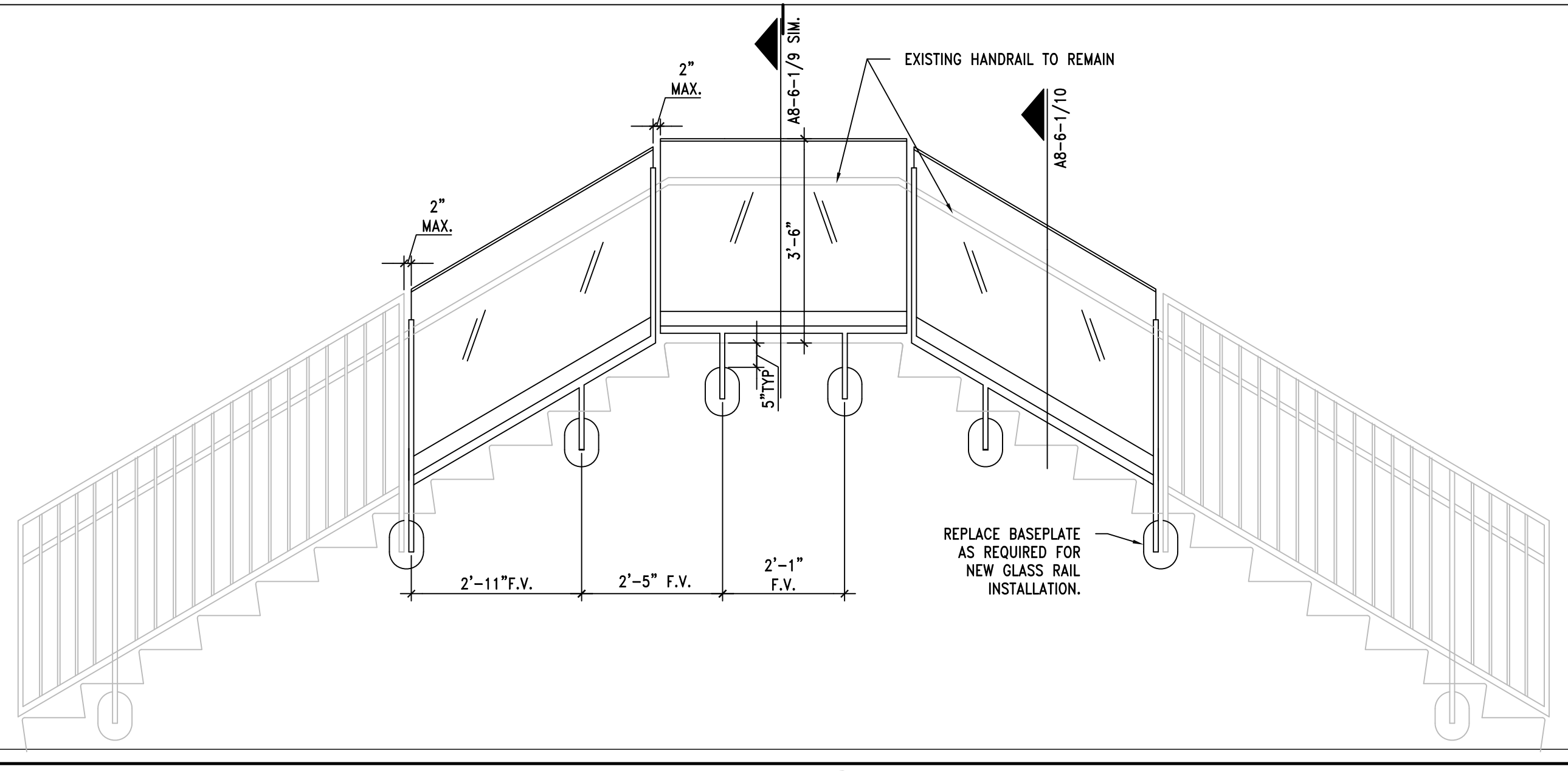
PROJECT NO. 19-4527-00 ISSUED BY: POPULOUS  
DRAWN BY: REVIEWED BY:

ISSUED: 09/12/19  
SHEET TITLE

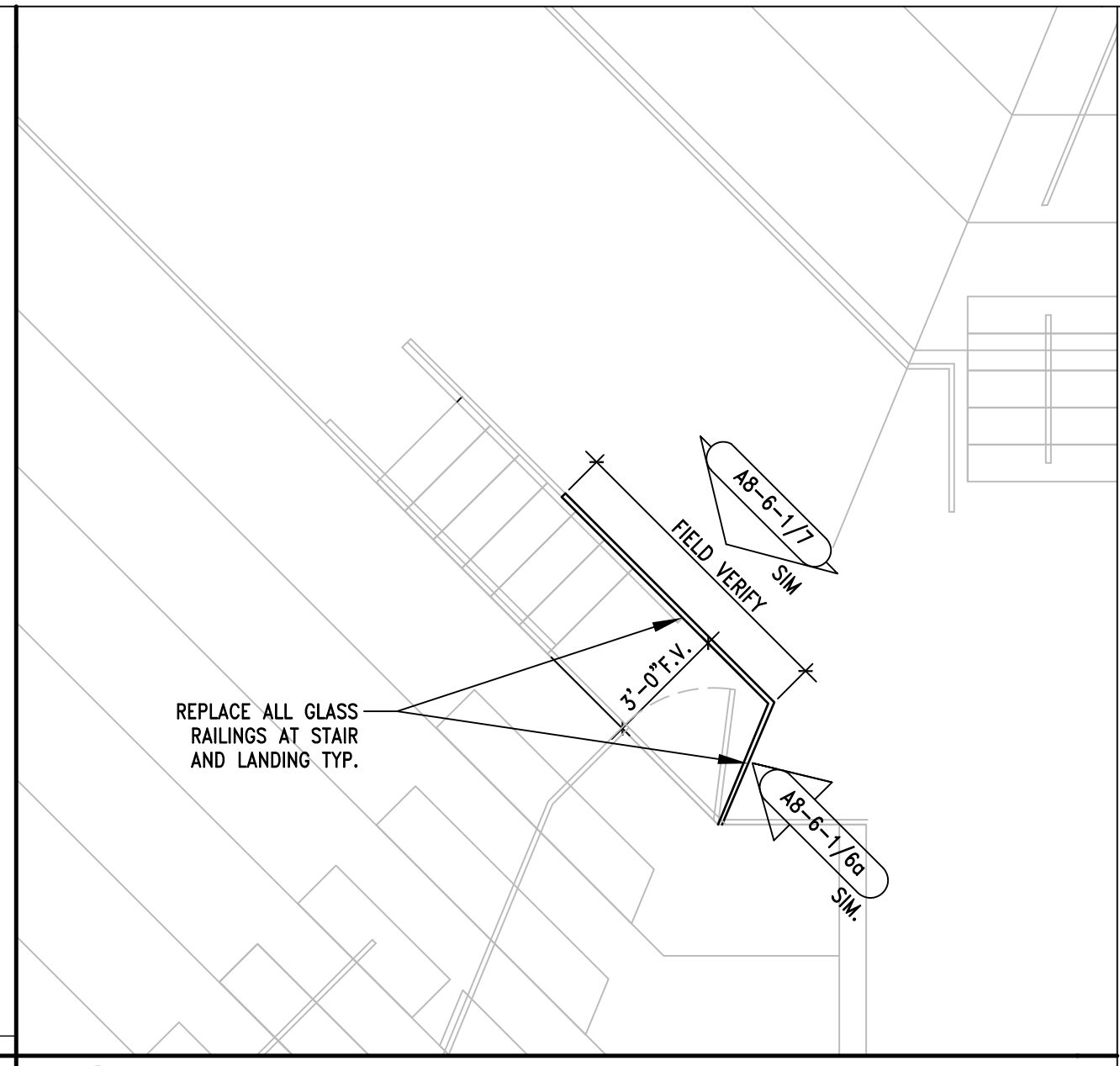
**RAILING  
ENLARGED PLANS  
& DETAILS**

CATEGORY - SUB-CATEGORY - SHEET

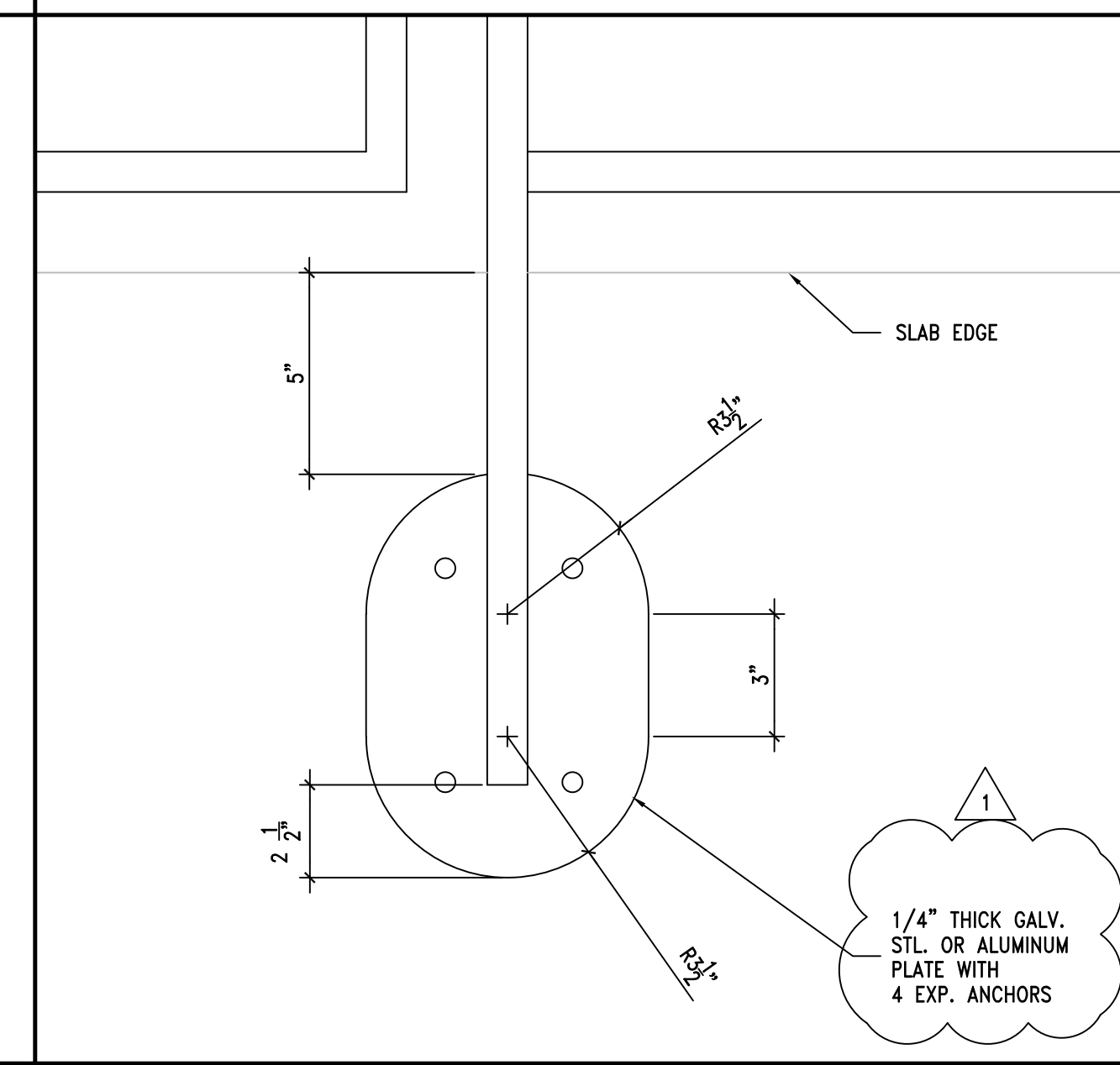
**A.8-6-1**



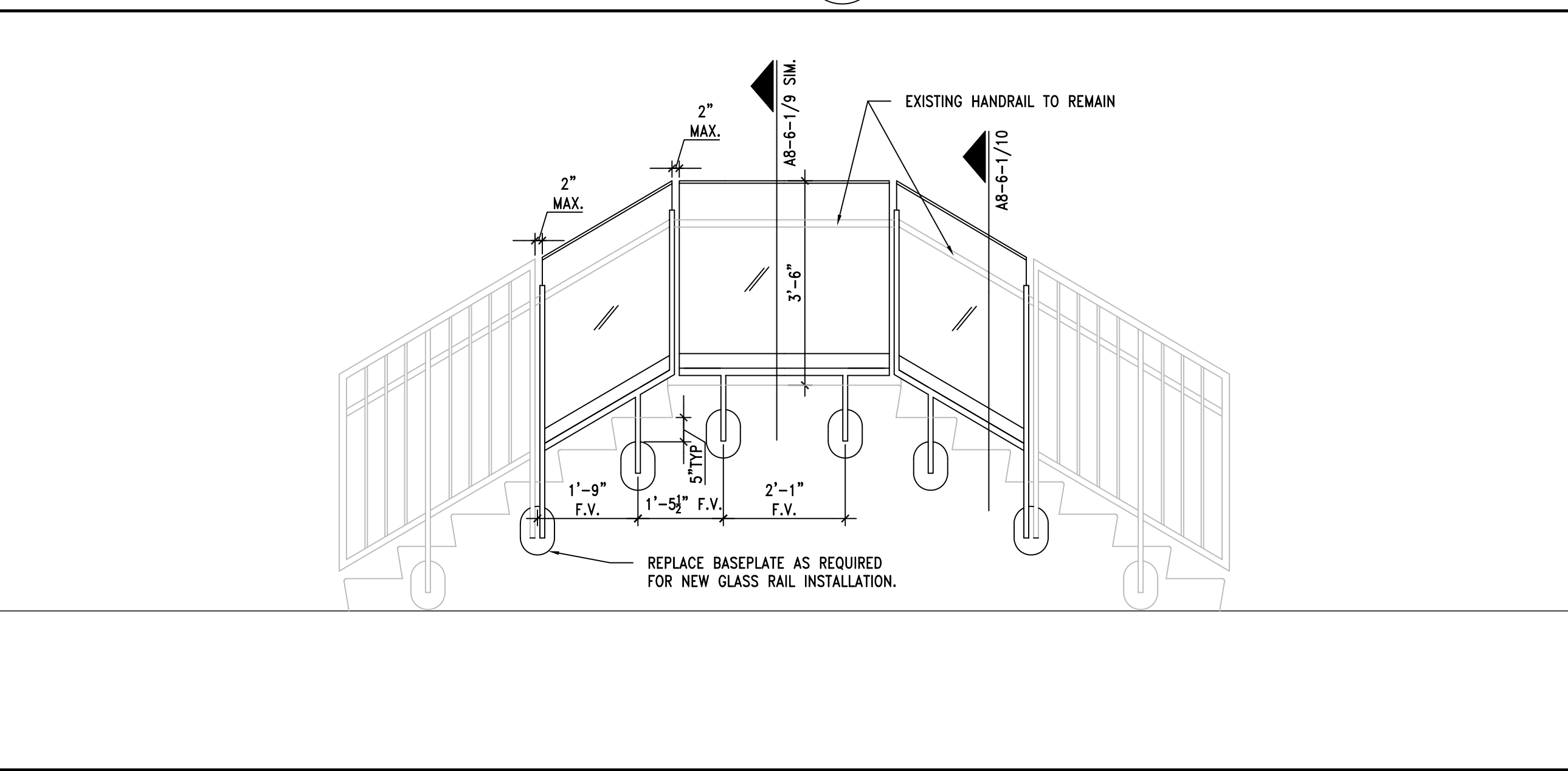
**8** UP CONC. CROSSAISLE STAIR RAIL ELEV. 1/2"=1'-0"



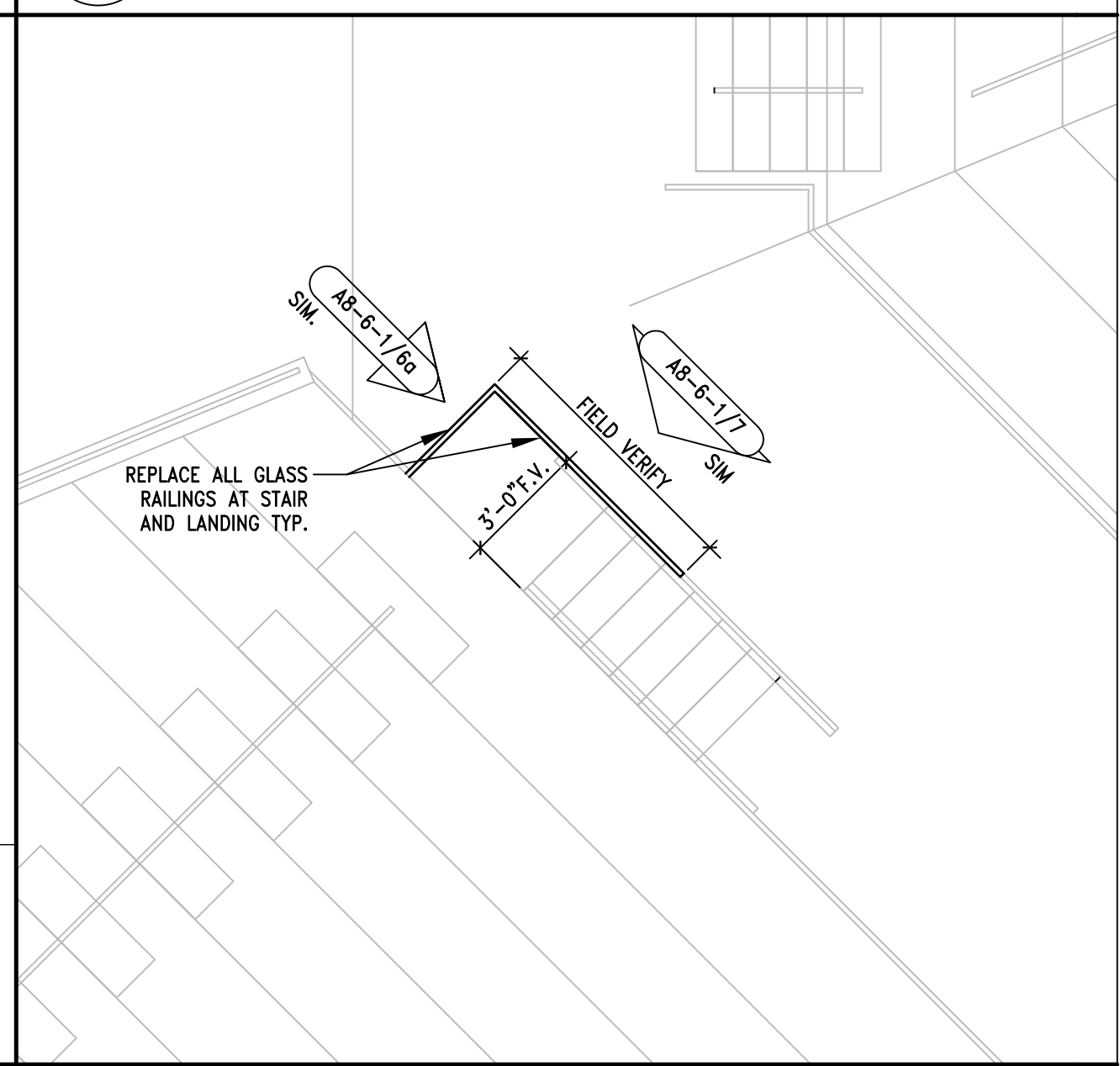
**4** MAIN CONC. CROSSAISLE STAIR RAIL PLAN 1/4"=1'-0"



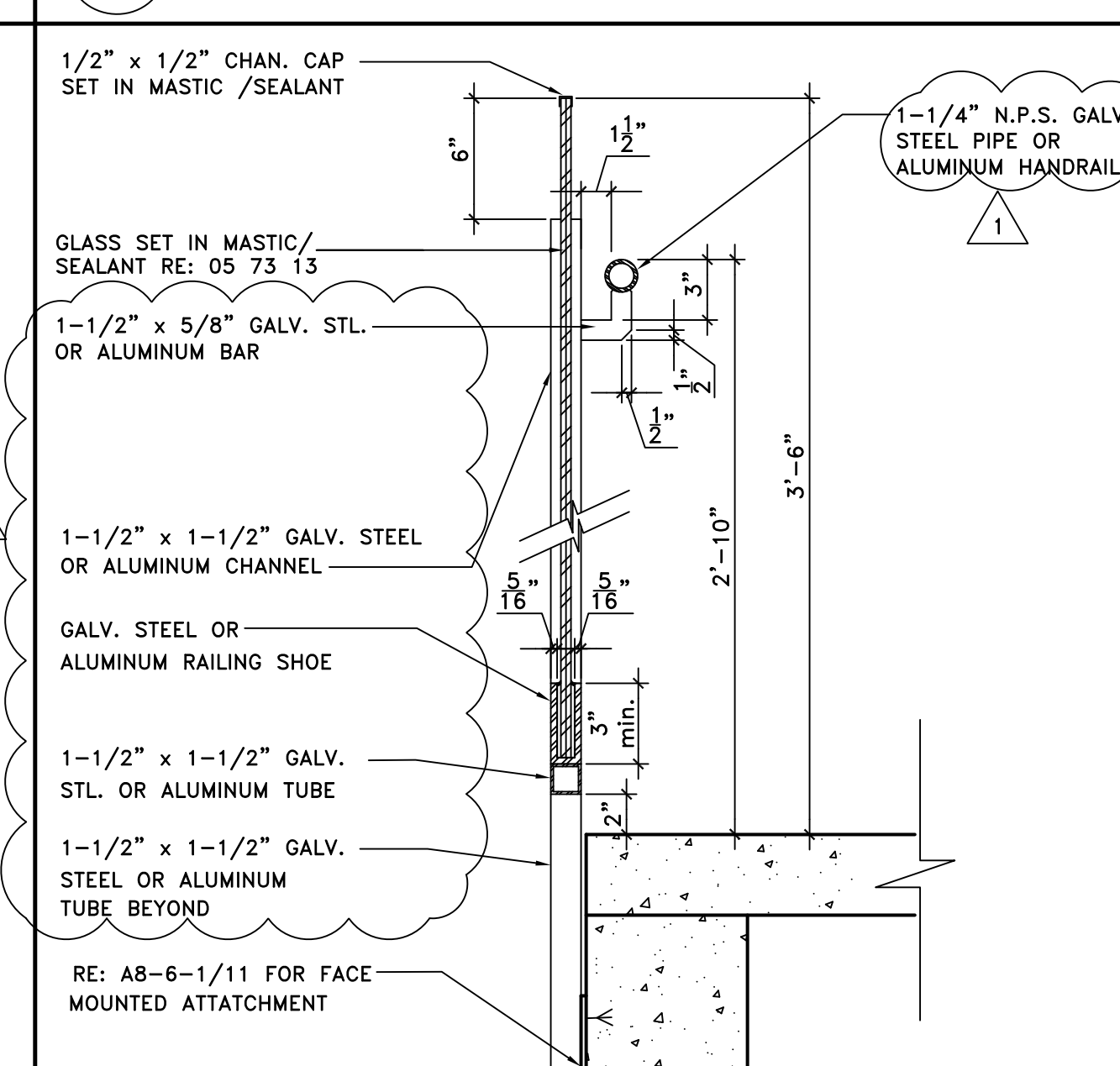
**11** FACE MOUNTED RAIL ATTACHMENT DETAIL 3"= 1'-0"



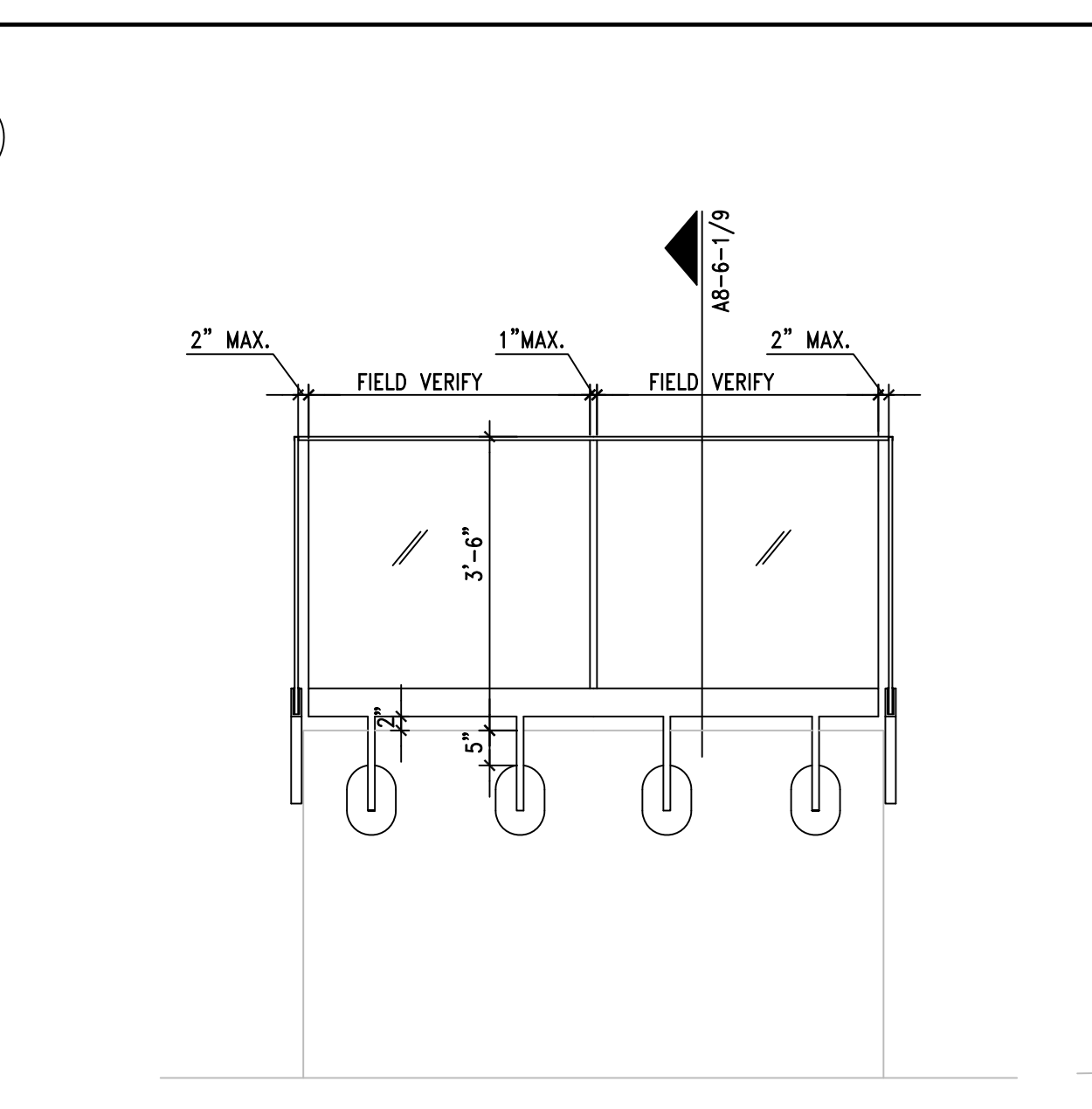
**7** MAIN CONC. CROSSAISLE STAIR RAIL ELEV. 1/2"=1'-0"



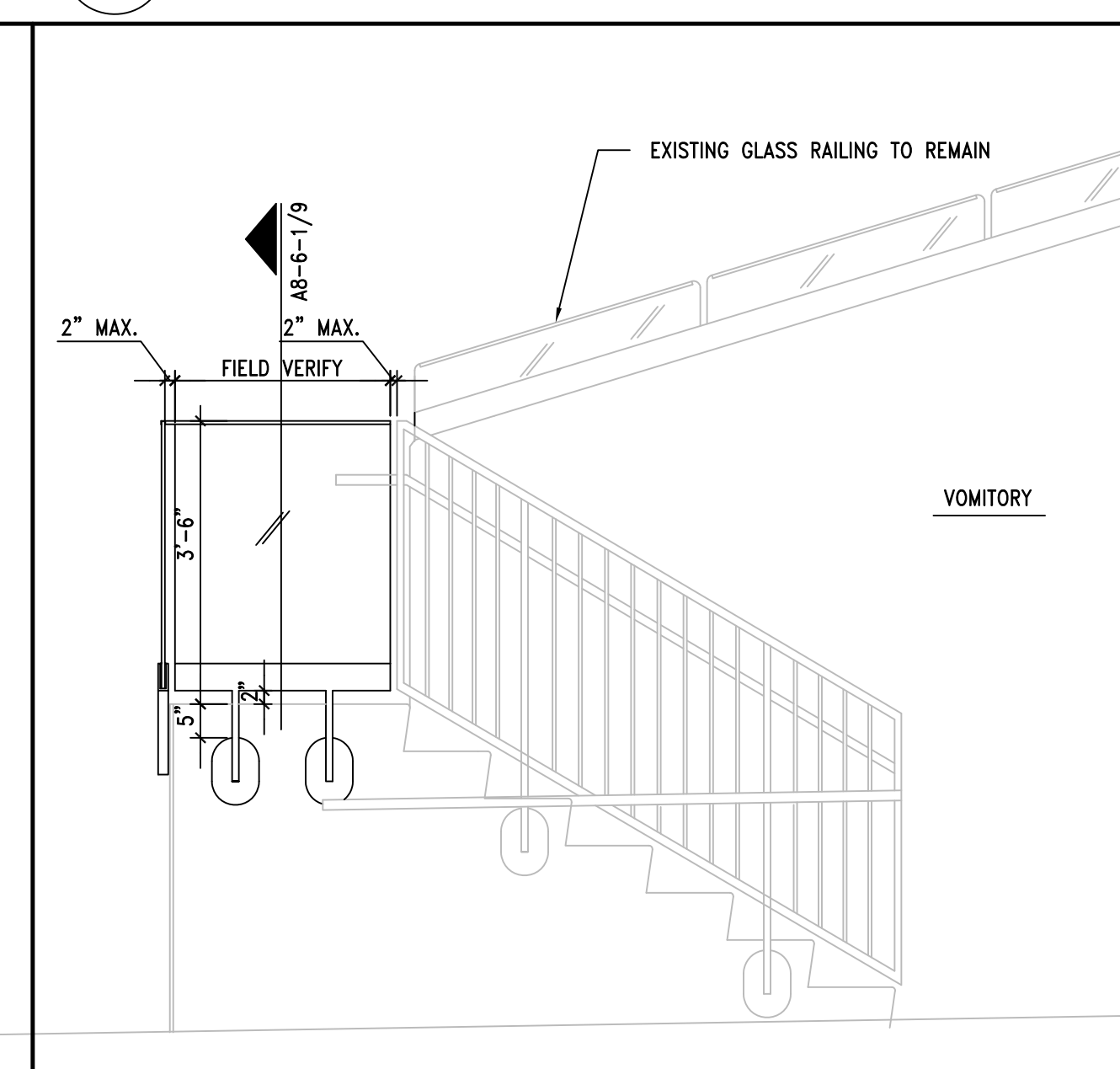
**3** MAIN CONC. CROSSAISLE STAIR RAIL PLAN 1/4"=1'-0"



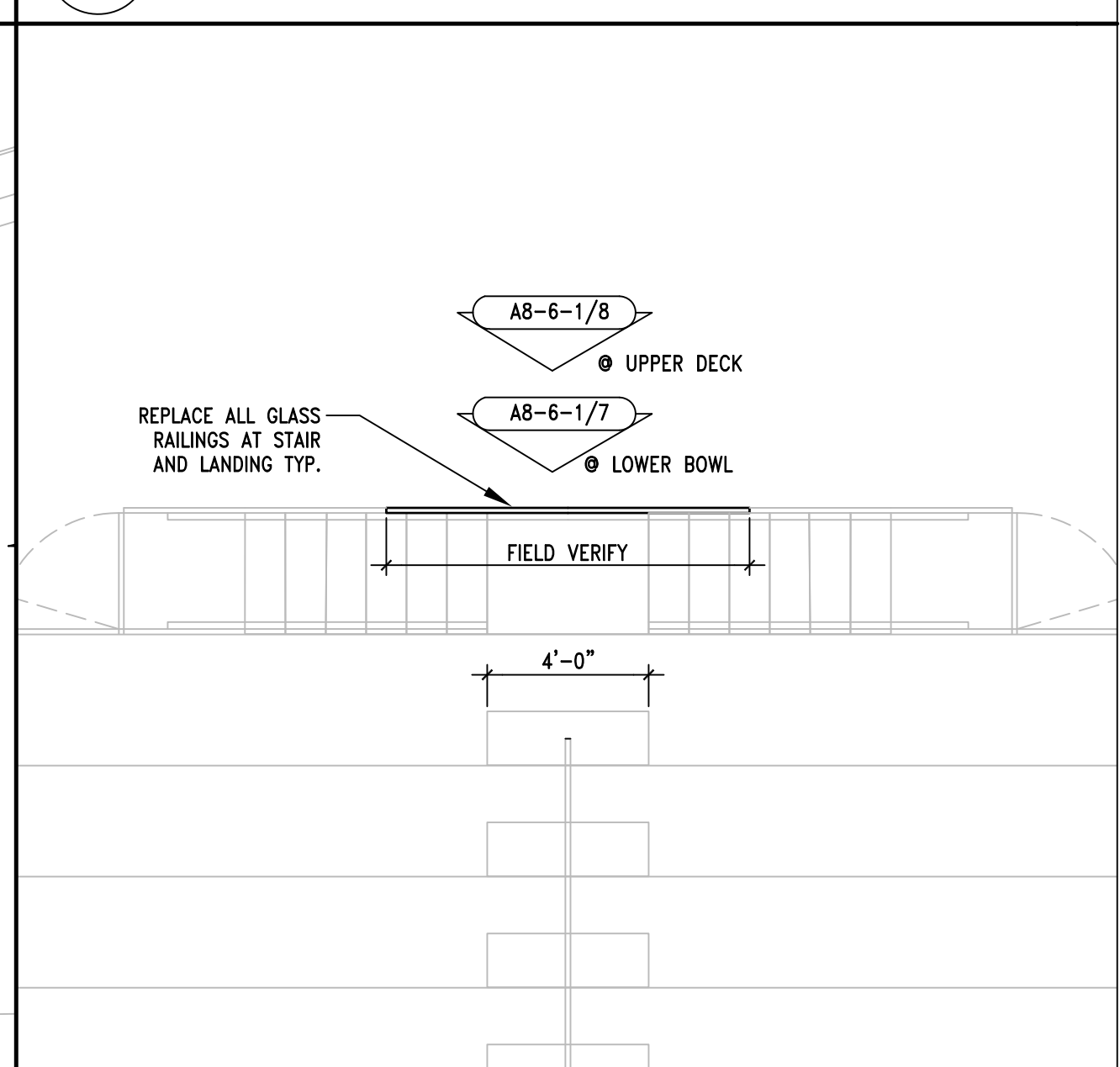
**10** GLASS RAILING DETAIL 1-1/2"=1'-0"



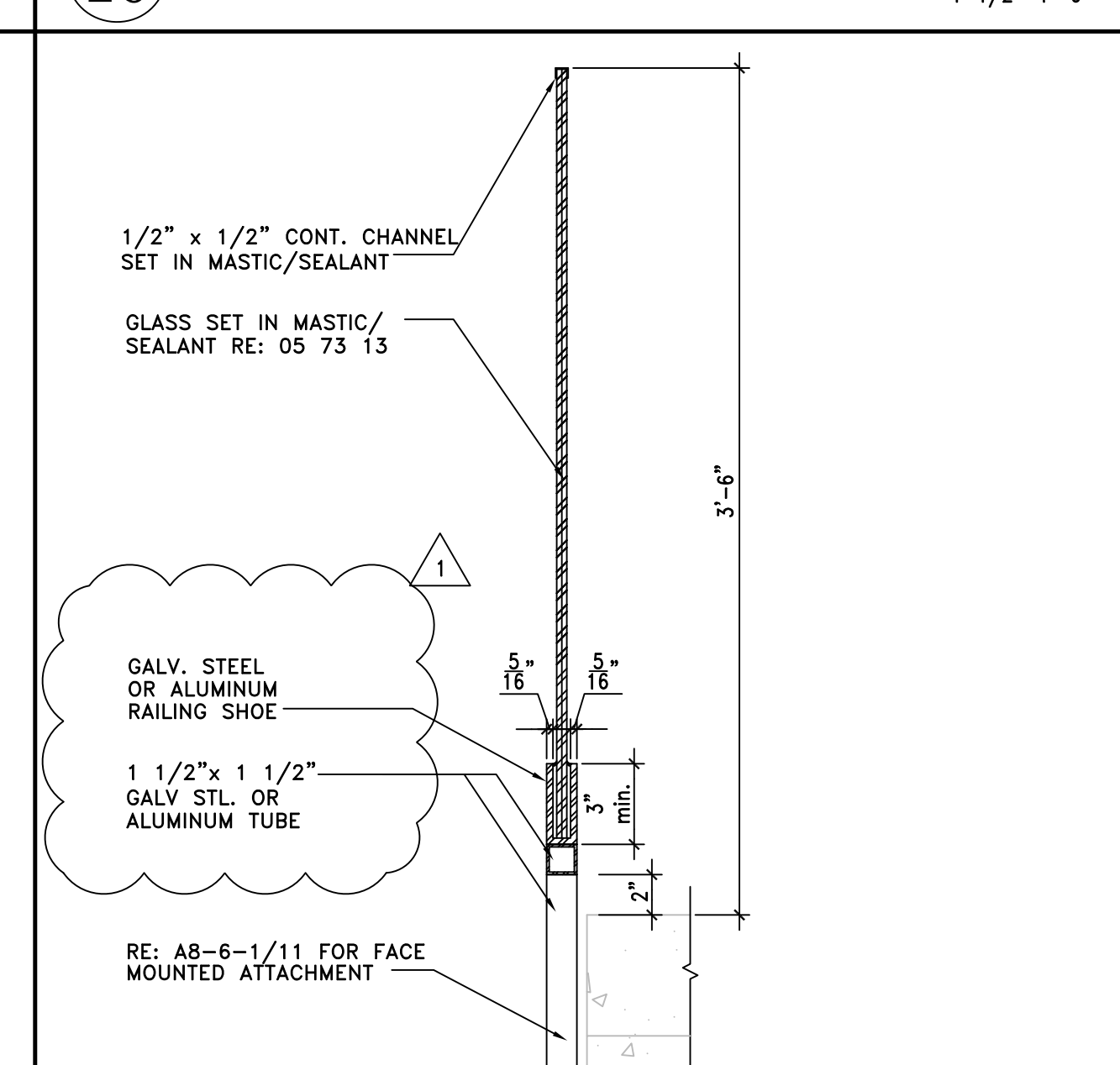
**6b** MAIN CONCOURSE VOMITORY RAIL ELEV. UPPER CONCOURSE SIMILAR 1/2"=1'-0"



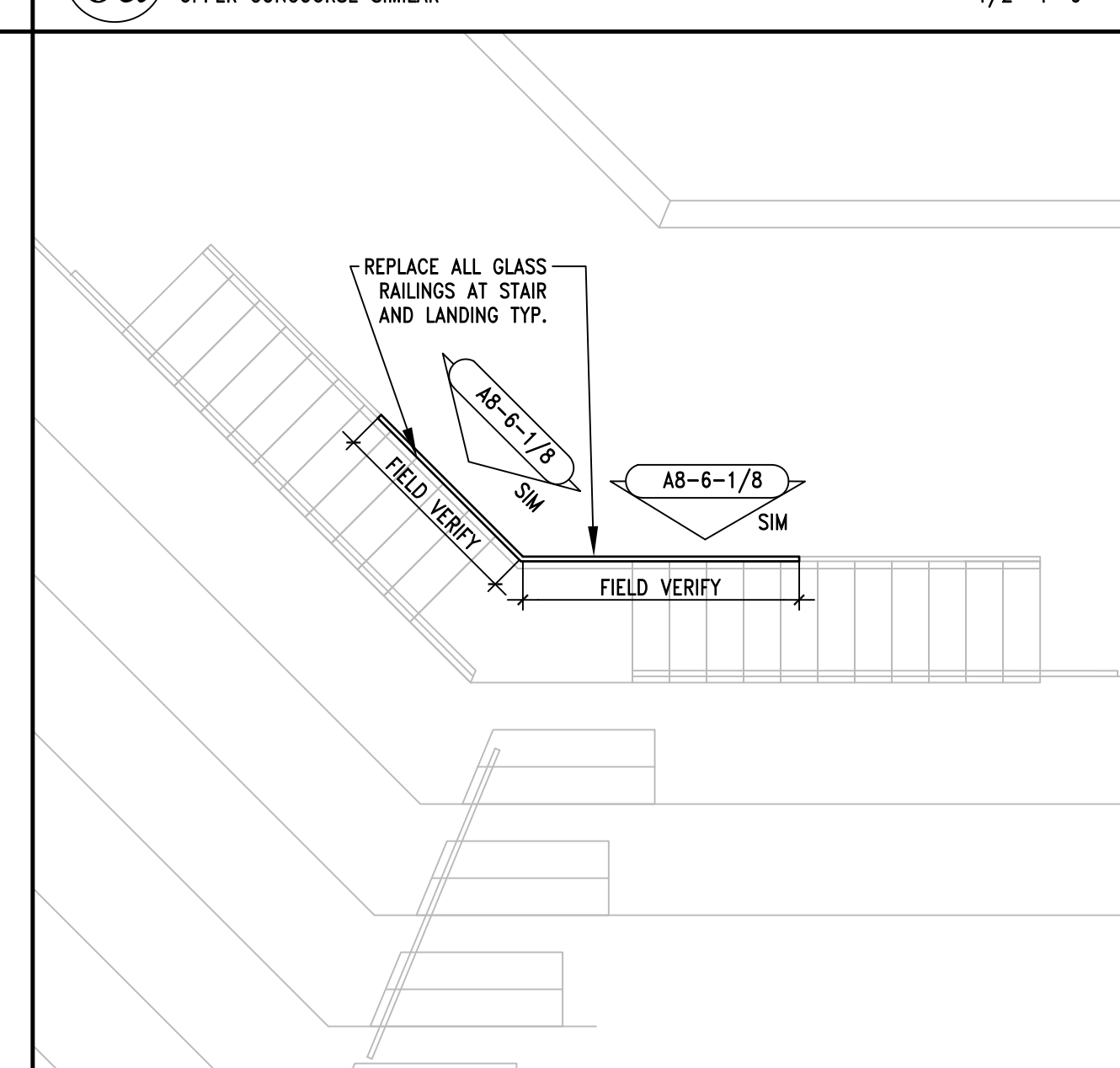
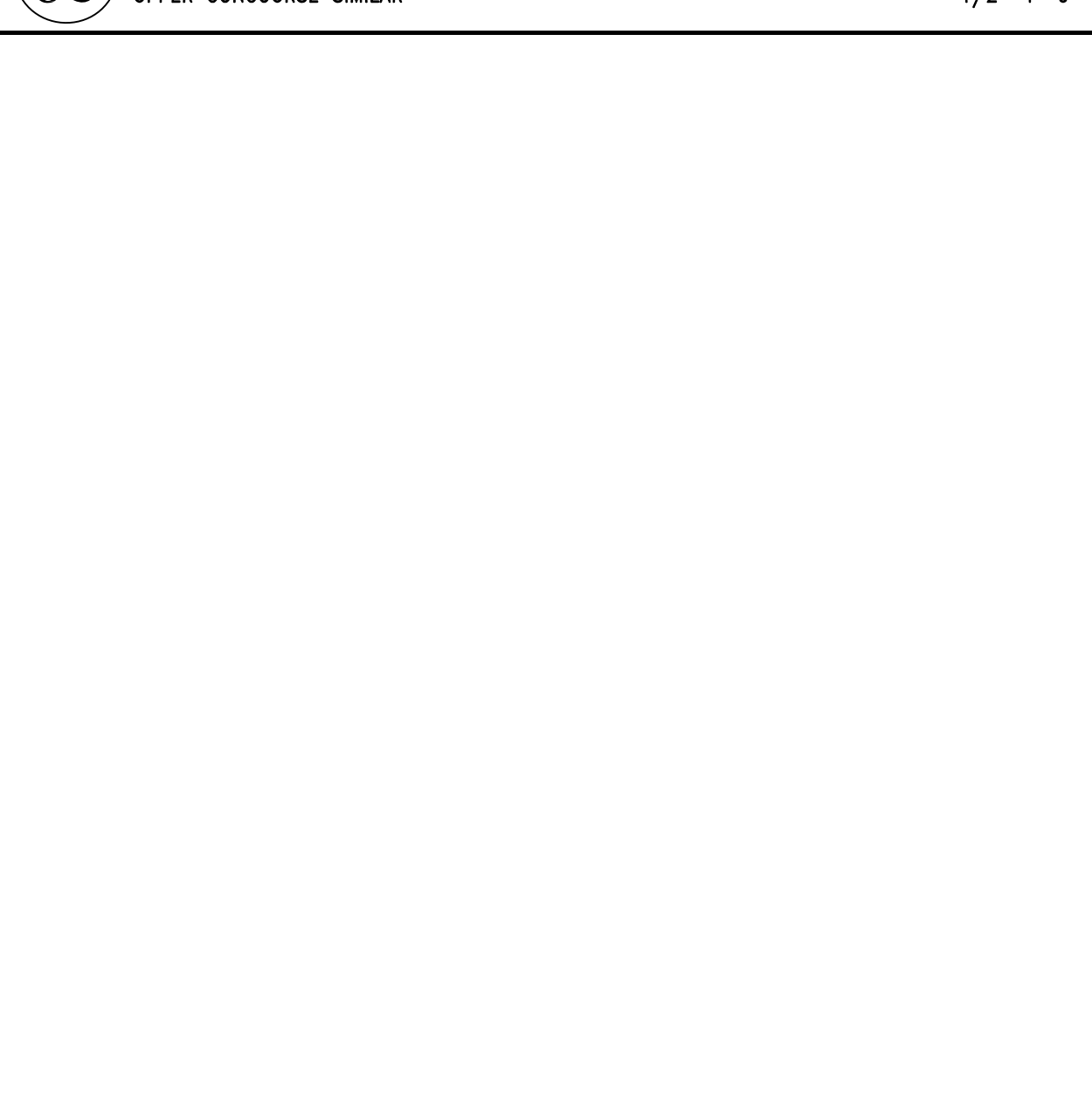
**6a** MAIN CONCOURSE VOMITORY RAIL ELEV. UPPER CONCOURSE SIMILAR 1/2"=1'-0"



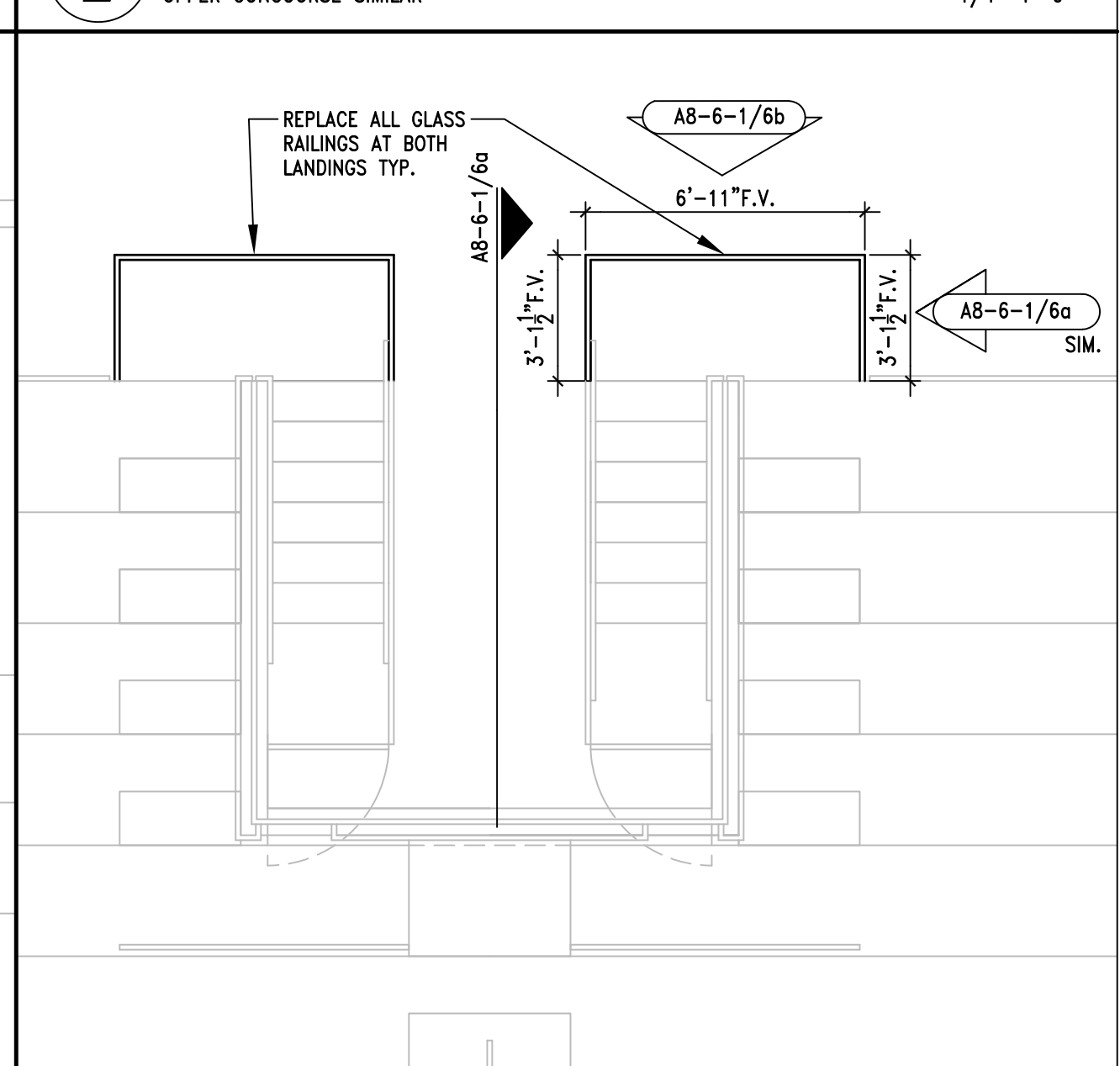
**2** MAIN CONC. CROSSAISLE STAIR RAIL PLAN UPPER CONCOURSE SIMILAR 1/4"=1'-0"



**9** GLASS RAILING DETAIL 1-1/2"=1'-0"



**5** UPPER CONCOURSE VOMITORY RAIL PLAN 1/4"=1'-0"



**1** MAIN CONCOURSE VOMITORY RAIL PLAN UPPER CONCOURSE SIMILAR 1/4"=1'-0"